

## Technical data sheet for **GAS COOKTOP 600mm**

G514D-B, G514D-CB, G514D-LS,  
G514C-B, G514C-CB, G514C-LS,  
G514B-B, G514B-CB, G514B-LS

- Heavy-duty construction
- 7kW open burners
- Flame failure standard
- Pilot burners optional
- 300mm griddle plate options
- Optional simmer plates
- 3 models of base unit
- Rear rollers
- Stainless steel exterior
- Easy clean
- Easy service
- Fully modular



G514D-LS

### Overall Construction

#### Cooktop

- Welded hob with 1.5mm stainless steel bull nose
- Side panels 1.2mm stainless steel
- Splashback 1.2mm stainless steel
- Enamelled control panel
- Aluminised steel internal construction
- Cast iron 7kW open burners with forged brass cap
- Enamelled cast iron potstands
- Enamelled open burner spill covers
- Cast iron simmer plates (optional extra)
- 12mm thick mild steel griddle plate
- 2.5mm stainless steel griddle splash guards
- Stainless steel spill trays

Griddle sections are standard on RH side. Available on LH side to order or by conversion.

#### Bench mount (supplied as -B model)

- Four 63mm dia. heavy-duty 1.2mm stainless steel bench legs with adjustable feet
- Adjustable height 80mm – 105mm

#### Cabinet base (supplied as -CB model)

- Fully modular for match suite finish
- Double skin 0.9mm stainless steel interior and exterior
- Optional GN 1/1 4 position racking kit
- 63mm dia. heavy-duty 1.2mm stainless steel legs with two adjustable feet at front and two rollers at rear

#### Leg stand (supplied as -LS model)

- Fully modular for matched suite finish
- Framed top for connection to Cooktop
- 63mm dia. heavy-duty 1.2mm stainless steel legs with two adjustable feet at front and two rollers at rear
- Fully modular framed stand shelf with 0.9mm stainless steel finish
- Suitable for rear or through shelf gas connection to Cooktop
- Quick assembly design

### Controls

- Variable high to low controls to open burners
- Open burners flame failure standard with pilot burners optional
- Variable high to low controls to griddles
- Griddles standard with pilot, flame failure and piezo ignition
- Large easy use control knob - heat resistant reinforced
- Easy view control settings on knob

### Cleaning and Servicing

- All models with easy clean stainless steel external finish
- Lift off burner heads and enamelled burner spill covers
- Stainless steel spill trays under open burner and griddle sections
- Access to all parts from front of unit

# Technical data sheet for GAS COOKTOP 600mm

## Specifications

### Burners

Open Burners 7kW dual flame ring with simmer rate

Griddle Burners 6kW

### Gas power (gross)

G514D 28kW, 96,400 Btu/hr

G514C 20kW, 68,600 Btu/hr

G514B 12kW, 40,800 Btu/hr

### Griddle Plate

300mm Griddle cooking surface

292mm x 475mm, 1387cm<sup>2</sup>

600mm Griddle cooking surface

592mm x 475mm, 2812cm<sup>2</sup>

### Gas connection

R 3/4 (BSP) male

All units supplied with Natural and LP gas regulator

## Dimensions

### Bench models

Width 600mm

Depth 812mm

Height 315mm

Incl. splashback 485mm

### All models (excluding Bench model)

Width 600mm

Depth 812mm

Height 915mm

Incl. splashback 1085mm

## Packing data

### Bench and Leg Stand models

0.37m<sup>3</sup>

Width 645mm

Depth 870mm

Height 665mm

### Cabinet Base models

0.70m<sup>3</sup>

Width 645mm

Depth 870mm

Height 1255mm

## Gas types

Available in Natural gas and LP gas, please specify when ordering

Units supplied complete with gas type conversion kits

## Options

Adjustable feet at rear

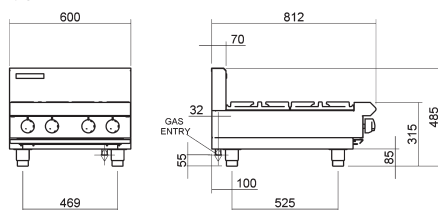
Simmer plates (replaces Potstand)

Ribbed griddle plates

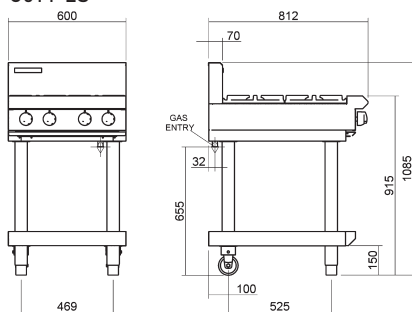
Joining caps

Castors

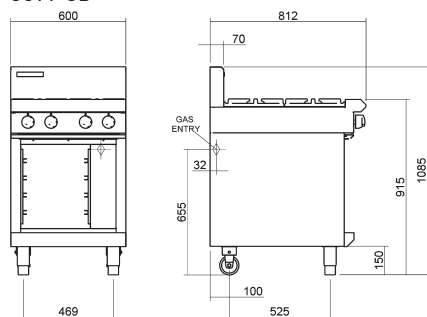
G514-B



G514-LS

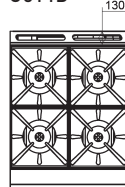


G514-CB

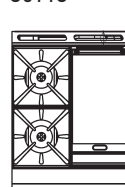


## PLAN

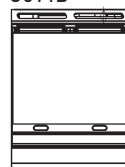
G514D



G514C



G514B



**BLUE SEAL**

[www.blue-seal.co.uk](http://www.blue-seal.co.uk)

[www.bluesealevolution.com](http://www.bluesealevolution.com)

## United Kingdom

### Blue Seal Limited

Unit 67

Gravelly Business Park

Gravelly

Birmingham B24 8TQ

England

Telephone 0121-327 5575

Facsimile 0121-327 9711

Email [sales@blue-seal.co.uk](mailto:sales@blue-seal.co.uk)

[www.blue-seal.co.uk](http://www.blue-seal.co.uk)

## Australia

### Moffat Pty Limited

740 Springvale Rd

Mulgrave

Victoria 3170

Australia

Telephone 03-9518 3888

Facsimile 03-9518 3833

Email [vsales@moffat.com.au](mailto:vsales@moffat.com.au)

[www.moffat.com.au](http://www.moffat.com.au)

## New Zealand

### Moffat Limited

16 Osborne St

PO Box 10-001

Christchurch 8011

New Zealand

Telephone 03-389 1007

Facsimile 03-389 1276

Email [sales@moffat.co.nz](mailto:sales@moffat.co.nz)

[www.moffat.co.nz](http://www.moffat.co.nz)



ISO9001

Quality Management Standard

Designed and manufactured by

**MOFFAT**

ISO9001

All Blue Seal products are designed and manufactured by Moffat using the internationally recognised ISO9001 quality management system, covering design, manufacture and final inspection, ensuring consistent high quality at all times.



In line with policy to continually develop and improve its products, Moffat Limited reserves the right to change specifications and design without notice.