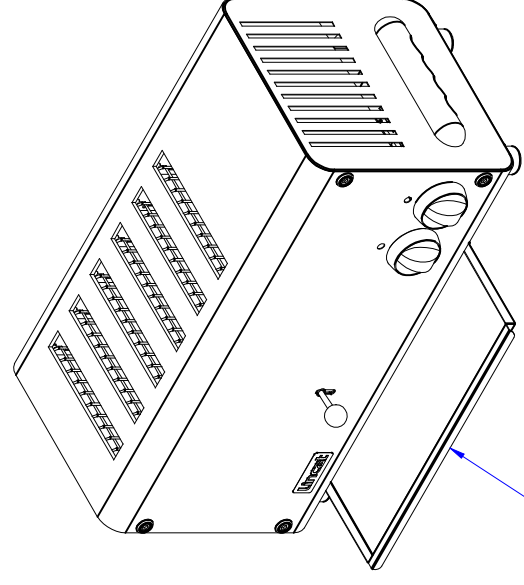
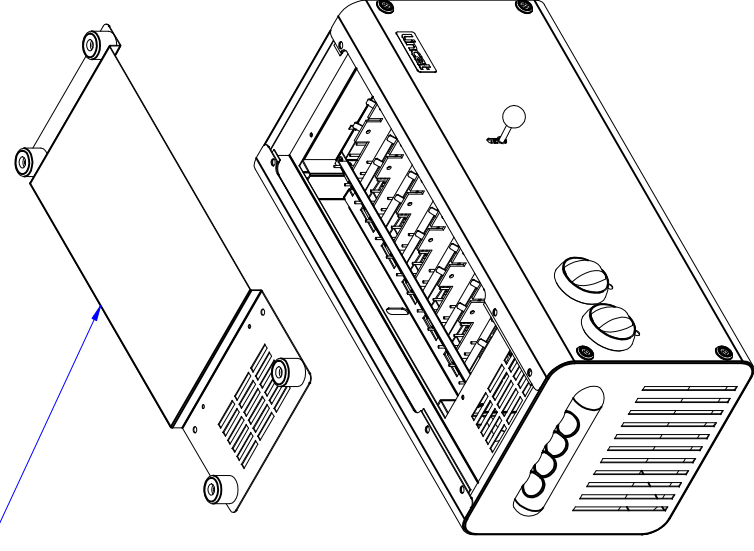
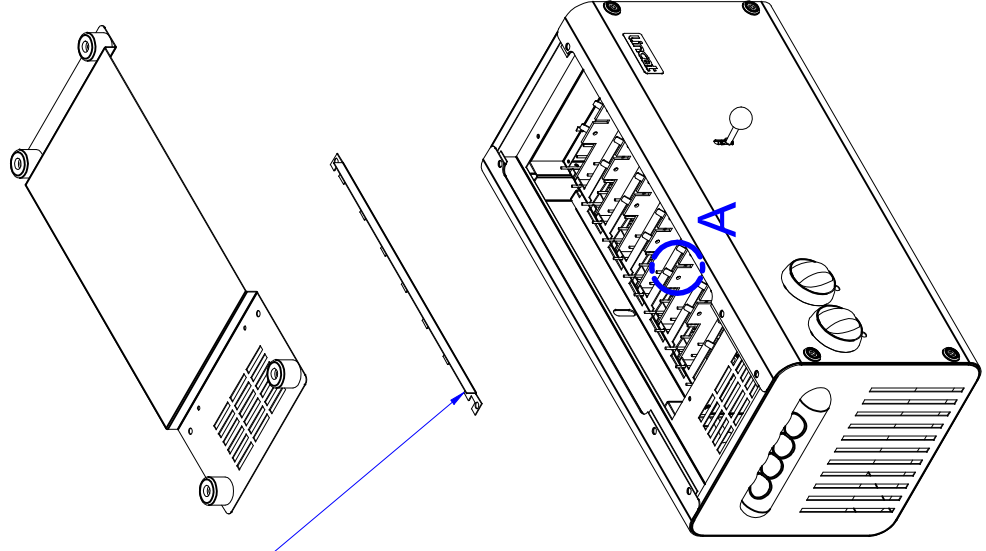
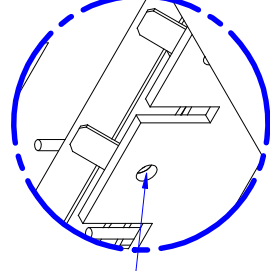


- 5) Remove 2 screws and lift out element retainer.
- 6) Carefully disconnect terminals from faulty element and lift out element.
- 7) Re-assemble in reverse order.

- 3) Turn toaster upside down.
- 4) Remove 6 screws and lift off base and feet.



- 1) Disconnect from power supply.
- 2) Remove crumb tray.



When pulling terminals off element, hold element here.

DETAIL A