

robot *coupe*®



- **MP 350 Ultra**
- **MP 350 V.V. Ultra**
- **MP 450 Ultra**
- **MP 450 V.V. Ultra**
- **MP 550 Ultra**
- **MP 600 Ultra**
- **MP 800 Turbo**
- **MP 350 Combi Ultra**
- **MP 450 Combi Ultra**
- **MP 450 FW Ultra**

SUMMARY

■ WARRANTY

■ IMPORTANT WARNING

■ INTRODUCTION TO YOUR NEW POWER MIXER

■ SWITCHING ON THE APPLIANCE

- Advice on electrical connections

■ OPERATING THE APPLIANCE

- Starting and stopping the power mixer
- Continuous operation
- Variable-speed operation

■ WORKING POSITION

- Blade function
- Whisk function

■ ASSEMBLING / DISMANTLING

- Blade function
- Whisk function

■ USES & EXAMPLES

■ PAN SUPPORT

- Adjustable support
- Single support

■ HYGIENE

■ CLEANING

- Motor unit
- Foot and bell
- Blades
- Whisk holder
- Whisks

■ MAINTENANCE

- Blades
- Whisks
- Foot seal
- Seal ring
- Cartridge

■ TECHNICAL SPECIFICATIONS

- Weight
- Dimensions
- Working height
- Noise level
- Electrical data

■ SAFETY

■ PROBLEMS

■ STANDARDS

■ TECHNICAL DATA (page 15)

- Exploded views
- Electrical and wiring diagrams

ROBOT-COUCPE S.N.C., LIMITED WARRANTY

Your new ROBOT-COUCPE appliance is warranted to the original buyer for a period of one year from the date of sale if you bought it from ROBOT-COUCPE S.N.C.

If you bought your ROBOT-COUCPE product from a distributor your product is covered by your distributor's warranty (Please check with your distributor terms and conditions of the warranty).

The ROBOT-COUCPE S.N.C. limited warranty is against defects in material and/or workmanship.

THE FOLLOWING ARE NOT COVERED BY THE ROBOT-COUCPE S.N.C. WARRANTY:

1 - Damage caused by abuse, misuse, dropping, or other similar damage caused by or resulting from failure to follow assembly, operating, cleaning, user maintenance or storage instructions.

2 - Labour to sharpen and/ or replacements for blades which have become blunt, chipped or worn after a normal or excessive period of use.

3 - Materials or labour to replace or repair scratched, stained, chipped, pitted, dented or discoloured surfaces, blades, knives, attachments or accessories.

4 - Any alteration, addition or repair that has not been carried out by the company or an approved service agency.

5 - Transportation of the appliance to or from an approved service agency.

6 - Labour charges to install or test new attachments or accessories (i.e., bowls, discs, blades, attachments) which have been arbitrarily replaced.

7 - The cost of changing direction-of-rotation of electric motors (Installer is responsible).

8 - SHIPPING DAMAGES. Visible and latent defects are the responsibility of the freight carrier. The consignee must inform the carrier and consignor immediately, or upon discovery in the case of latent defects.

KEEP ALL ORIGINAL CONTAINERS AND PACKING MATERIALS FOR CARRIER INSPECTION.

Neither ROBOT-COUCPE S.N.C. nor its affiliated companies or any of its distributors, directors, agents, employees, or insurers will be liable for indirect damage, losses, or expenses linked to the appliance or the inability to use it.

The ROBOT-COUCPE S.N.C. warranty is given expressly and in lieu of all other warranties, expressed or implied, for merchantability and for fitness toward a particular purpose and constitutes the only warranty made by ROBOT-COUCPE S.N.C. France.

IMPORTANT WARNING

WARNING

KEEP THESE INSTRUCTIONS
IN A SAFE PLACE

WARNING: In order to limit accidents such as electric shocks or personal injury, and in order to limit material damage due to misuse of the appliance, please read these instructions carefully and follow them strictly. Reading the operating instructions will help you get to know your appliance and enable you to use the equipment correctly. Please read these instructions in their entirety and make sure that anyone else who may use the appliance also reads them beforehand.

UNPACKING

- WARNING - some of the tools are very sharp e.g. blades, etc..

INSTALLATION

- We recommend that you install your appliance on its wall frame.

CONNECTION

- Always check that your mains supply corresponds to that indicated on the identification plate on the motor unit and that it can withstand the amperage.
- Never plug your appliance into the mains supply before placing it inside the preparation bowl.

HANDLING

- Always take care when handling the blades, as they are extremely sharp.

ASSEMBLY PROCEDURES

- Follow the various assembly procedures carefully (see page 8) and make sure that all the attachments are correctly positioned.

USE

- Never try to override the safety systems.
- Never insert an object into the preparation.
- Never switch the appliance on unless it has been placed in the preparation bowl.
- Before dismantling the foot, bell or whisk always check that the power mixer is unplugged.
- We recommend that you tilt the appliance at a slight angle to prevent the bell from touching the bottom of the container.



WARNING

Procedure to follow if the stick blender is accidentally immersed during use.

- 1) Do not touch either the power mixer, the bowl or the work surface.***
- 2) Unplug the mixer's power cord from the wall socket.***
- 3) Remove the power mixer from the preparation.***
- 4) Tilt the power mixer to drain off as much liquid as possible.***
- 5) Do not switch the power mixer back on, as there is still a risk of electrocution.***
- 6) Send the power mixer to a Robot-Coupe approved after-sales service to have the electrical components cleaned and dried.***

CLEANING

- As a precaution, always unplug your appliance before cleaning it.
- Always clean the appliance and its attachments at the end of each cycle.
- Never immerse the motor unit in water.
- For parts made from aluminum, use cleaning fluids intended for aluminum.
- For plastic parts, do not use detergents that are too alkaline (e.g., containing too much caustic soda or ammonia).
- Robot-Coupe can in no way be held responsible for the user's failure to follow the basic rules of cleaning and hygiene.

MAINTENANCE

- Before opening the motor housing, it is absolutely vital to unplug the appliance.
- Check the seals and washers regularly and ensure that the safety devices are in good working order.
- It is particularly important to maintain and check the attachments since certain ingredients contain corrosive agents, e.g. citric acid.
- Never operate the appliance if the power cord or plug has been damaged or if the appliance fails to work properly or has been damaged in any way.
- Do not hesitate to contact your local Maintenance Service if something appears to be wrong.

INTRODUCTION TO YOUR NEW POWER MIXER

Robot-Coupe has developed a whole range of power mixer. Their technical characteristics are shown in the table below.

Models	Speed variation	Mixer attachment	Whisk attachment	Capacité Litres
MP 350 Ultra		350 mm		50
MP 350 V.V. Ultra	•	350 mm		50
MP 450 Ultra		450 mm		100
MP 450 V.V. Ultra	•	450 mm		100
MP 550 Ultra		550 mm		200
MP 600 Ultra		600 mm		300
MP 800 Turbo		800 mm		400
MP 350 Combi Ultra	•	350 mm	280 mm	50
MP 450 Combi Ultra	•	450 mm	280 mm	100
MP 450 FW Ultra	•		280 mm	-

The **mixer function** will allow you to make soups, vegetable purées and pulps without any problem, while you will find that the **whisk function** is ideal for making pancake batter, mayonnaise, beaten egg whites, chocolate mousse, butter sauces, whipped cream or smooth fromage frais.

The whisk is composed with a metallic gear box even more resistant when processing pan cakes or mashed potatoes.

The **variable-speed** function will enable you to adjust the speed to suit each preparation and to start the processing at a lower speed in order to reduce splashing.

Each power mixer is supplied with a **wall support** for easy storage.

The simple design of these appliances allows the assembly and dismantling of the moving parts in no time at all, to ease maintenance and cleaning.

These instructions contain important information that will enable you to extract the greatest return on your investment.

We therefore strongly advise you to read these instructions carefully before using the appliance.

In blade function

Thanks to an **extremely powerful motor**, they can process quantities of 50 litres to 400 litres according to the model. Their **rapidity** and the **quality of the finished product are beyond reproach.**

In whisk function

In the whisk function, all three models can process:

- 2-50 egg whites
- 1-60 kg purée.

SWITCHING ON THE APPLIANCE

• ADVICE ON ELECTRICAL CONNECTIONS

This class II appliance (double insulation) requires a single-phase alternating current but does not need an earthed socket. The universal-type motor is fitted with an interference suppressor.

The power supply must be protected by a differential circuit breaker and a 10 A fuse.

Check that you have a standard 10/16 A single-phase socket.

Make sure that the voltage of your power supply matches that shown on the identification plate of your appliance.

Robot-Coupe supplies these models with different types of motors:

- 230 V / 50 Hz for power supplies of: 220 to 240 V.
- 120 V / 60 Hz.
- 220 V / 60 Hz.

The power mixer is supplied with a single-phase plug connected to a power cord.

OPERATING THE APPLIANCE

• STARTING AND STOPPING THE POWER MIXER (valid for all models)

1. Check that the control button (CB) is in the released position.

2. Connect the power mixer to the power supply.

3. Insert the foot into the preparation.

4. Press and hold down the safety button (SB).

5. Press the control button (CB), and the power mixer will start up.

6. Release the safety button (SB).

7. To stop the power mixer, release the control button (CB).

• CONTINUOUS OPERATION (valid for all models)

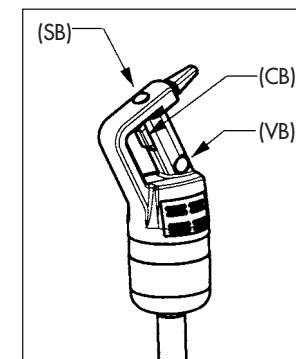
Follow steps 1 to 6 above, then:

7. While the control button (CB) is in the depressed position, press the locking button (LB)

8. Release the control button (CB).

9. Release the locking button (LB), and the power mixer will function continuously.

10. To stop the power mixer, press and release the control button (CB).

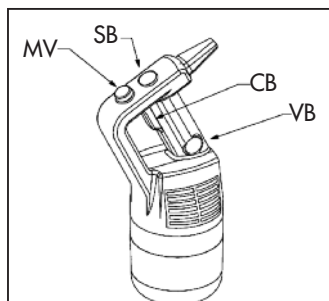


• VARIABLE-SPEED OPERATION

(MP 350 V.V. Ultra, MP 450 V.V. Ultra, MP 350 Combi Ultra, MP 450 Combi Ultra, MP 450 FW Ultra)

Follow steps 1 to 6 above, then:

7. Change the speed of the motor by turning the variable speed button (VB) towards the maximum or minimum as required.



Whisk function (MP 350 Combi Ultra, MP 450 Combi Ultra, MP 450 FW Ultra): speed between **250** and **1500** rpm.

Mixer function (MP 350 V.V. Ultra, MP 450 V.V. Ultra, MP 350 Combi Ultra, MP 450 Combi Ultra): speed between **1500** and **9000** rpm.

It is advisable to start at a low speed when using the whisk.

Principle of automatic speed regulation : once you have selected the right speed, leave the mixer to run on its own. The speed will remain the same, even if the consistency of the preparation changes.

• MASHED POTATOES FUNCTION (MP 350 Combi Ultra, MP 450 Combi Ultra, MP 450 FW Ultra)



A self-regulating speed system has been specially developed for pureeing tasks using the whisk (jerky rotation).

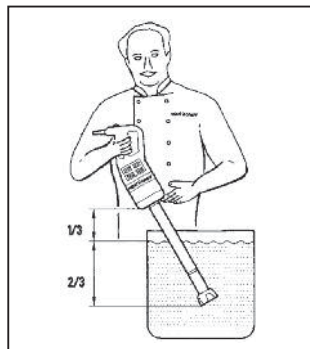
To reach this speed, you have to turn the knob counterclockwise until you feel a click. Mashed potatoes must be processed at the lowest speed.

A triangle marked on the speed variation switch indicates the speed dedicated to mashed potatoes preparation.

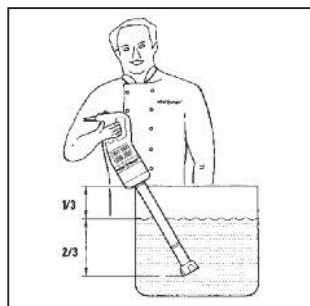
WORKING POSITION

• BLADE FUNCTION

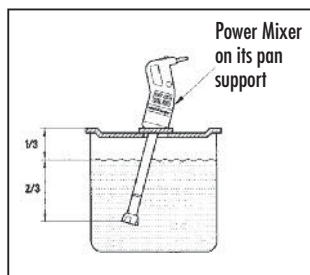
For greater control, we recommend that you hold the power mixer by the handle and the bottom of motor unit. Furthermore, we recommend that you tilt the power mixer at a slight angle to prevent the bell from touching the bottom of the container.



The power mixer can equally be rested against the rim of the container, but must be tilted, and the bell must not touch the bottom of the container.



If using a support on top of the pan, ensure that the power mixer is positioned in the centre of the support, that it is at a slight angle, and that the bell is not touching the bottom of the container.

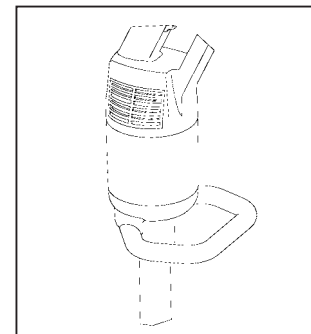


Always make sure that the bell is sufficiently immersed to avoid splashing and that the air vents of the motor unit does not come into contact with any liquid.

For optimum efficiency, two thirds of the foot should be immersed in the preparation.

MP 800 Turbo

An handle which will help you to have a good grip and facilitate the moving of the machine.



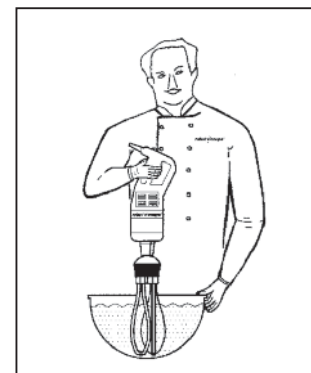
• WHISK FUNCTION

You can also hold the appliance by the handle with one hand, leaving the other hand free to hold the bowl, if necessary.



While you process the preparation, we recommend that you move the whisks around in the bowl, in order to ensure that the mixture is completely homogeneous.

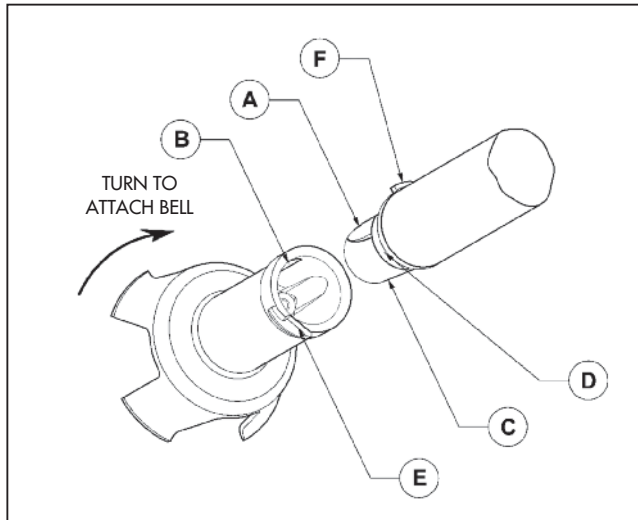
We strongly advise you to keep the whisks from touching the sides of the bowl. For maximum efficiency, at least one-fifth of the whisk length should be immersed. We also strongly advise you to start the processing at a low speed.



ASSEMBLING / DISMANTLING

• BLADE FUNCTION

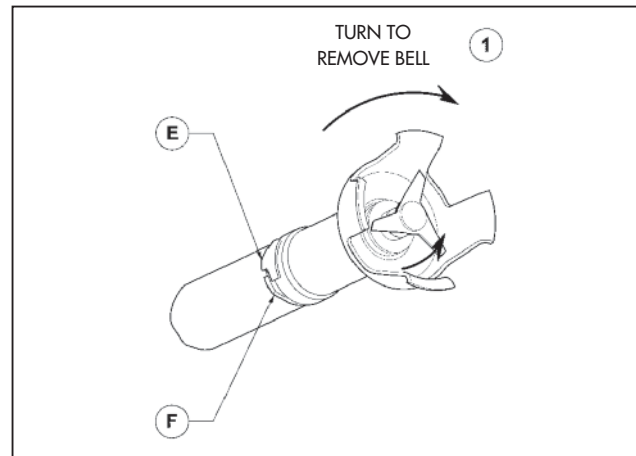
ATTACHING THE BELL TO THE TUBE (valid for all models)



- Check that the machine is not plugged in.
- Align the flat side of (A) the conical part of the tube with catch (B) on the inside of the bell.
- Insert the conical part (C) into the bell. With the washer touching the tube seal (D), turn the bell in the direction of the arrow (see above figure) to lock the bell lug (E) and tube lug (F) together moderately tightly.

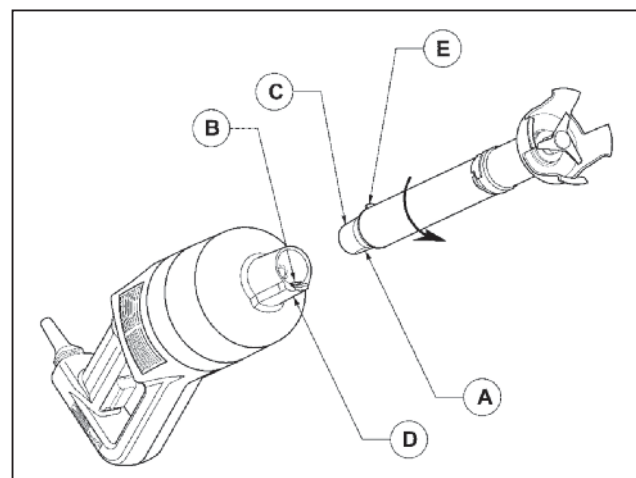
REMOVING THE BELL FROM THE FOOT (valid for all models)

- Check that the machine is not plugged in.
- Turn the bell in the direction of arrow ① (see next figure) to separate the bell lug (E) from the tube lug (F). Remove the bell.



ATTACHING THE TUBE TO THE MOTOR UNIT (MP 350 Combi Ultra, MP 450 Combi Ultra, MP 800 Turbo)

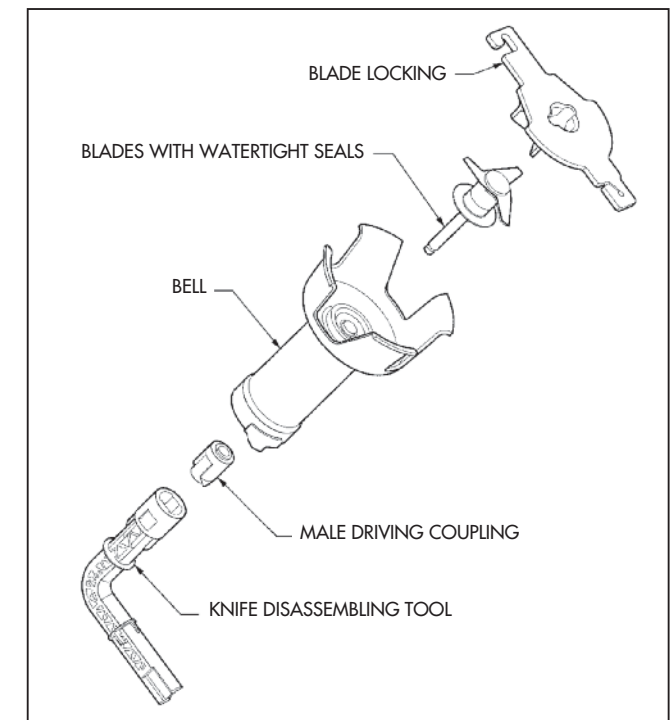
- Check that the appliance is not plugged in.
- Align the flat side of (A) the conical part of the tube with catch (B) into the aluminium casing.
- Insert the whole of the conical part (C) of the tube into the aluminium casing.
- Turn the tube in the direction of the arrow (see figure) until it is locked into place moderately tightly.



REMOVING THE TUBE FROM THE MOTOR UNIT (MP 350 Combi Ultra, MP 450 Combi Ultra, MP 800 Turbo))

- Check that the appliance is unplugged.
- Turn the tube in the opposite direction to that used when attaching it.
- When it will go no further, remove the tube of the aluminium casing.

REMOVING THE BLADE

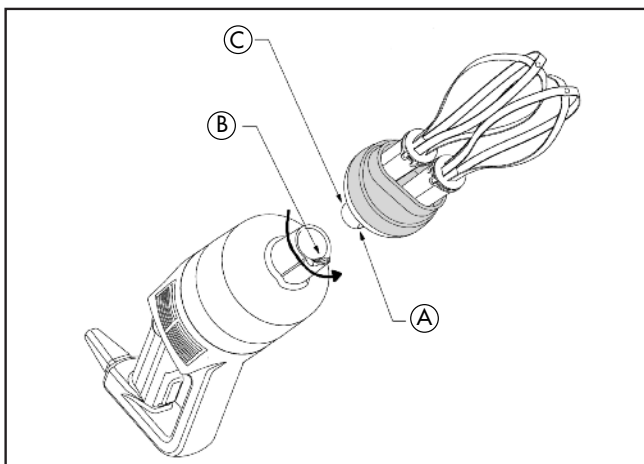


- To remove the blade safely, hold them with the tool provided or an oven glove or a thick cloth.
- Using the removal tool, the male driving coupling.
- As soon as the male drive coupling has been unscrewed, the blade can be removed for cleaning.

- **WHISK FUNCTION (MP 350 Combi Ultra, MP 450 Combi Ultra, MP 450 FW Ultra)**

ATTACHING THE WHISK HOLDER TO THE MOTOR UNIT.

- Check that the machine is not plugged in.
- Align the flat side (A) of the conical part (C) of the whisk holder with the catch (B) on the inside of the aluminium casing.
- Insert the whole of the conical part (C) of the whisk holder into the aluminium casing.
- Turn the whisk holder in the direction of the arrow (see figure) until it is locked into place moderately tightly.



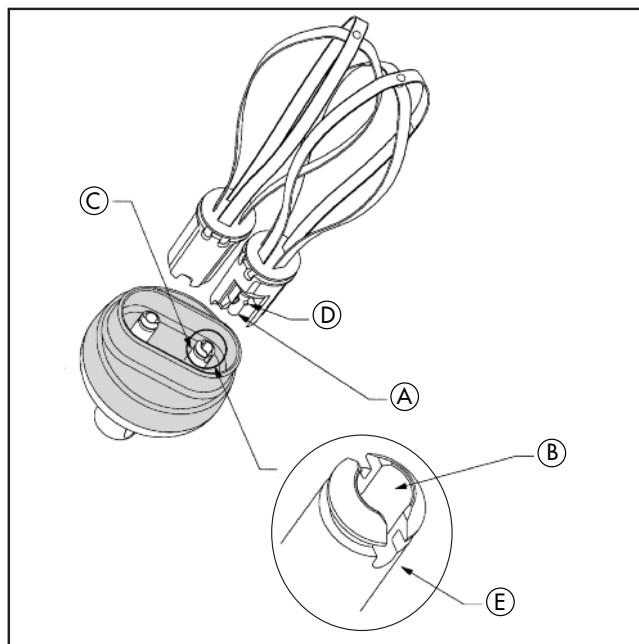
REMOVING THE CASING

- Check that the machine is not plugged in.
- Turn the whisk holder in the opposite direction to that used when attaching it.
- When it will go no further, remove the whisk holder from the aluminium casing.

FITTING THE WHISKS INTO THE WHISK HOLDER

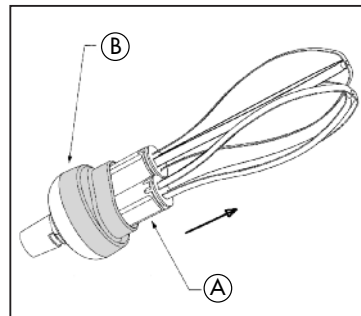
- Grasp the holder in one hand.
- With the other hand, take the first whisk and insert the shaft (A) into the bore (B) of the whisk holder drive shaft. Make sure the drive lugs (D) are properly aligned with the notches.

- As you push the whisk into the whisk holder drive shaft (C), rotate it slightly in order to slot the drive lugs into the notches (D) of the drive shaft (C), thereby locking the whisk into place inside the shaft.
- To check that the whisk is properly fixed inside the shaft (C), gently tug the metal wires.
- Repeat this procedure with the second whisk. If you cannot push it in properly, remove it, rotate it 90° and start again.

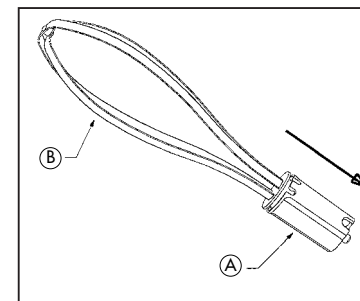


REMOVING THE WHISKS FROM THE WHISK HOLDER

Pull the ejector (A) in direction to the arrow, gripping the ejector in one hand and the holder (B) in the other.



REMOVING THE EJECTOR



- Hold the whisk by the wires (B) in one hand.
- With the other hand, pull the ejector (A) in the direction of the arrow (see figure).

The foot, the blades and the whisks can be entirely dismantled, (Robot-Coupe's exclusive patented system), thereby ensuring easy cleaning, perfect hygiene and simple maintenance.

USES & EXAMPLES

The mixer function makes it possible to carry out all types of processing in the minimum of time, while the whisk function enables you to whisk and mix the preparation. We thus recommend that you supervise all food preparations carefully in order to obtain the best results.

CATERING AND RESTAURANT WORK

Blade Function

- Soups
- Vegetable purees : carrots, spinach, celery, turnips, French beans, etc.
- Mousses : vegetable, fish
- Fruit compotes
- Sauces : green, rouille, remoulade, cream emulsions, tomato or parsley
- Bisques : langoustines and shellfish
- Pancake batter

CATERING AND RESTAURANT WORK

Whisk function

- Mashed potatoes (fresh or instant).
- Pancake batter
- Mayonnaise
- Beaten egg whites
- Chocolate mousse
- Butter sauces
- Whipped cream
- Smooth fromage frais
- Mashed potato (fresh or instant)

CHEMICAL & PHARMACEUTICAL LABORATORY WORK

- Mixing : making ointments, creams, paste..., emulsions.

PAN SUPPORT

They enable the user to tilt the power mixer without any effort or else to leave it running on its own. All stainless steel and completely dismantled, they are easy to clean and very practical to use.

• ADJUSTABLE SUPPORT

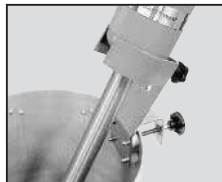
3 pan supports are available as an option. They can be adapted to the three following sizes of pans :

- Ø pan : from 330 mm to 650 mm.
- Ø pan : from 500 mm to 1000 mm.
- Ø pan : from 850 mm to 1300 mm.



• UNIVERSAL SUPPORT

For any pans diameter.



HYGIENE

The equipment must be clean at all stages of production.

It is vital to clean the power mixer thoroughly between each job using a detergent or disinfectant

• N.B. NEVER USE PURE BLEACH

- Dilute the detergent/disinfectant following the manufacturer's instructions on the label.
- Scrub well if necessary.
- Leave the disinfectant/detergent to take effect if necessary.
- Rinse thoroughly.
- Dry properly using a clean cloth.

CLEANING



WARNING

As a precaution, always unplug your appliance before cleaning it (risk of electrocution).

After using the power mixer in a hot preparation, cool the bottom of the foot in cold water before dismantling the bell from the foot.

After completion of preparation, clean immediately to prevent food from sticking to surfaces.

• MOTOR UNIT

Never put the motor unit and its handle in water, clean them with a damp cloth or a sponge.

• FOOT AND BELL

It is possible to proceed in two ways:

• Simple cleaning procedure

- Place the foot and bell into a suitable container with water and switch on for a few seconds to clean the bell and the foot.
- After unplugging the appliance – essential –, making sure that no water finds its way into the foot.

- **Detach the bell from the foot to avoid a build-up of condensation.**

• Complete cleaning procedure

- Unplug the power mixer.
- Rinse the bell under the tap.
- Remove the bell from the foot, then remove the blades. Be careful to avoid damaging the surface of the blade shaft and the watertight seals. Do not use too strong a detergent when cleaning the parts.
- Ensure that all the different parts are thoroughly dried before reassembly.

• BLADES

The blades can be removed from the bell for thorough cleaning.

Always dry the blades thoroughly after cleaning to avoid spotting.

• WHISK HOLDER

Never immerse the whisk holder in water. Clean it with a slightly damp cloth or sponge.

Never clean the whisk holder in a dishwasher.

• WHISKS

The whisks can be cleaned either by hand or in a dishwasher.

To ensure effective cleaning, we advice you to remove the whisk ejector.



IMPORTANT

Check that your detergent is suitable for cleaning plastic parts. Some washing agents are too alkaline (e.g. high levels of caustic soda or ammonia) and totally incompatible with certain types of plastic, causing them to deteriorate rapidly.

MAINTENANCE

• BLADES

The performance of the cut essentially depends on the state of your blades and their wear. The blades are subject to wear and as such need to be replaced from time to time to ensure the consistent quality of the end product.

You are also advised to change, at the same time, the washer and the watertight seals.

• WHISKS

The success of your preparation will depend essentially on the state of the metal wires and their amount of wear and tear. They should therefore be replaced from time to time in order to ensure optimum quality of the finished product.

• FOOT SEAL

In order to maintain a perfect watertight seal between the foot and the bell it is necessary to check the wear of the seal regularly and replace it if necessary.

• WASHER

The washer can be greased using a suitable food safe lubricant.

In order to maintain a perfect watertightness it is necessary to check the wear of the washer, and if necessary, to replace it.

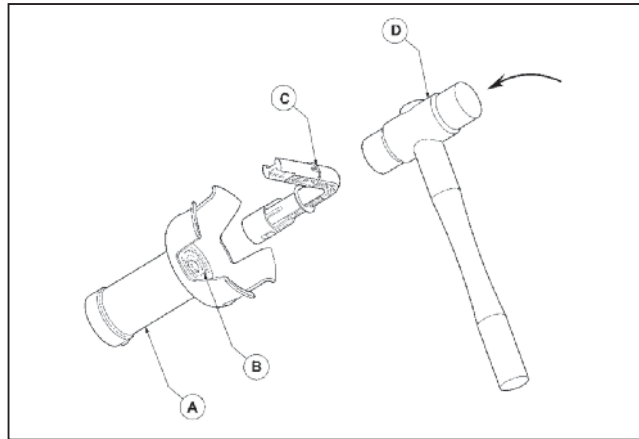
• CARTRIDGE

You need to change the cartridge :

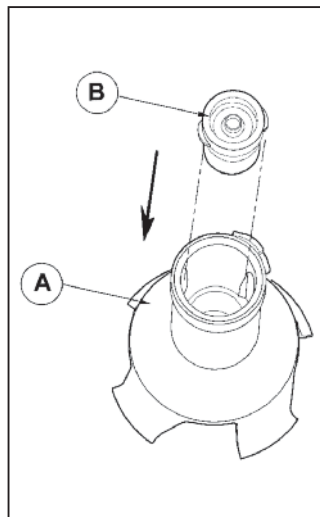
- If liquid starts seeping into the foot
- If there is any play in the blade

1) Cartridge dismantling :

Position the knife dismantling tool © on the cartridge ②. Remove the cartridge from its place by knocking ④ on the knife dismantling tool © with a plastic mallet.



2) Cartridge mounting :



Direct the ears of cartridge ② in order to be aligned with the groove of the bell ①. Push the cartridge with the hand in the direction of arrow, then clip on into the bell thanks to the knife dismantling tool.



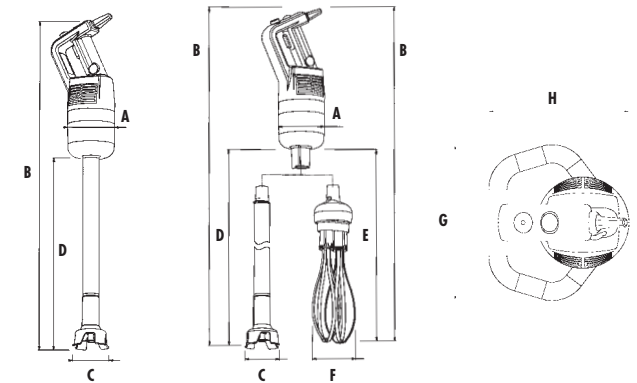
WARNING

From time to time, check:

- The state of the 3 buttons' watertight membranes. Even the tiniest cracks will allow liquid to seep in.
- The state of the blender housing. This, should not show any signs of cracking or any abnormal openings which could allow access to the live components.

TECHNICAL SPECIFICATIONS

• WEIGHT and DIMENSIONS (in mm)



Models	Dimensions (mm)								Weight (kg)	
	A	B	C	D	E	F	G	H	net	gross
MP 350 Ultra	125	725	100	360					4.6	6.1
MP 350 V.V. Ultra	125	725	100	360					4.8	6.3
MP 450 Ultra	125	825	100	460					4.9	6.4
MP 450 V.V. Ultra	125	825	100	460					5.0	6.4
MP 550 Ultra	125	925	110	560					5.2	6.7
MP 600 Ultra	125	970	110	580					5.7	7.6
MP 800 Turbo	125	1130	110	740			212	189	7.1	9.0
MP 350 Combi Ultra	125	775	100	410	440	120			5.9	8.3
MP 450 Combi Ultra	125	875	100	510	440	120			6.1	8.5
MP 450 FW Ultra	125	805			440	120			4.3	6.5

• **WORKING HEIGHT**

We recommend that you ensure that the container is placed on a stable and solid work surface.

• **NOISE LEVEL**

The equivalent continuous sound level when the foot is not immersed in anything is less than 70 dB (A).

• **ELECTRICAL DATA**

Single-phase machine **MP 350 Ultra**

Motor	Speed (rpm)	Power (Watts)	Intensity (Amp.)
230 V/50 Hz	9500	440	2.1
120 V/60 Hz	9300	400	3.7
220 V/60 Hz	9000	385	2.0

Single-phase machine **MP 350 V.V. Ultra**

Motor	Mixer Speed (rpm)	Power (Watts)	Intensity (Amp.)
230 V/50 Hz	1500 to 9000	440	2.1
120 V/60 Hz	1500 to 9000	400	3.7
220 V/60 Hz	1500 to 9000	385	2.0

Single-phase machine **MP 450 Ultra**

Motor	Speed (rpm)	Power (Watts)	Intensity (Amp.)
230 V/50 Hz	9500	500	2.3
120 V/60 Hz	9300	460	4.5
220 V/60 Hz	9000	445	2.2

Single-phase machine **MP 450 V.V. Ultra**

Motor	Mixer Speed (rpm)	Power (Watts)	Intensity (Amp.)
230 V/50 Hz	1500 to 9000	500	2.3
120 V/60 Hz	1500 to 9000	460	4.5
220 V/60 Hz	1500 to 9000	445	2.2

Single-phase machine **MP 550 Ultra**

Motor	Speed (rpm)	Power (Watts)	Intensity (Amp.)
230 V/50 Hz	9000	750	3.5
120 V/60 Hz	8500	695	6.5
220 V/60 Hz	8500	675	3.3

Single-phase machine **MP 600 Ultra**

Motor	Speed (rpm)	Power (Watts)	Intensity (Amp.)
230 V/50 Hz	9500	850	3.4
120 V/60 Hz	9300	760	6.8
220 V/60 Hz	9000	740	3.2

Single-phase machine **MP 800 Turbo**

Motor	Speed (rpm)	Power (Watts)	Intensity (Amp.)
230 V/50 Hz	9500	1000	4.5
120 V/60 Hz	9300	920	7.5
220 V/60 Hz	9000	900	2.0

Single-phase machine **MP 350 Combi Ultra**

Motor	Speed (rpm)	Whisk Speed (rpm)	Power (Watts)	Intensity (Amp.)
230 V/50 Hz	1500 to 9000	250 to 1500	440	2.1
120 V/60 Hz	1500 to 9000	250 to 1500	400	3.7
220 V/60 Hz	1500 to 9000	250 to 1500	385	2.0

Single-phase machine **MP 450 Combi Ultra**

Motor	Mixer Speed (rpm)	Whisk Speed (rpm)	Power (Watts)	Intensity (Amp.)
230 V/50 Hz	1500 to 9000	250 to 1500	500	2.3
120 V/60 Hz	1500 to 9000	250 to 1500	460	4.5
220 V/60 Hz	1500 to 9000	250 to 1500	445	2.2

Single-phase machine **MP 450 FW Ultra**

Motor	Whisk Speed (rpm)	Power (Watts)	Intensity (Amp.)
230 V/50 Hz	250 to 1500	500	2.3
120 V/60 Hz	250 to 1500	460	4.5
220 V/60 Hz	250 to 1500	445	2.2

SAFETY

	W A R N I N G
<p>The blades are extremely sharp. Handle with care.</p>	

ROBOT-COUPE power mixers are equipped with a safety system comprising of a :

- safety control button

- thermal protection system
- Overload protection system
- no volt release a supply failure.

• Safety control button

This safety mechanism prevents any unintentional starting of the power mixer. In fact, it is necessary to press down two buttons to start the power mixer. In order to start the machine, read the paragraph entitled OPERATING THE APPLIANCE (page 6).

• Thermal protection system

If the appliance is left running for too long, the thermal protection system will automatically shut it down. If this happens, wait for the appliance to cool down completely (approx. 30 min.) before following the procedure for OPERATING THE APPLIANCE (page 6).

• Overload protection system

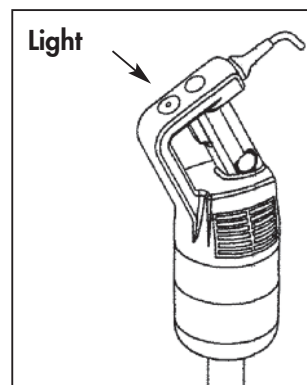
If the motor becomes overloaded due to the presence of a spoon or other utensil in the pan or the thickness of the mixture, it will shut down. This shutdown signals that the preparation is either too thick or not suitable for processing with a stick blender. To switch your appliance back on, follow the procedure for OPERATING THE APPLIANCE (page 6).

• No volt release a supply failure

In the event of a power cut or after the machine has been unplugged, the power mixer will not restart by itself. It is necessary to follow the steps in the paragraph entitled OPERATING THE APPLIANCE (page 6).

• Intensity Warning Light (MP 600 Ultra and MP 800 Turbo)

In case of overload or use of the mixer in a too sticky preparation, the intensity warning flashes for 5 seconds to inform you that the motor will stop shortly. This stop indicates that the preparation in process is too thick or can not be made with a stick blender.



In this case, you can still restart your mixer. However, your machine will stop again if the consistency of the preparation is not modified.



RE M I N D E R

Never try to override the locking and safety mechanisms.

Never insert an object into the preparation.

Never switch the appliance on unless it has been placed in the preparation bowl.

Before dismantling the foot, bell or whisk, always check that the power mixer is unplugged.

We recommend that you tilt the power mixer at a slight angle to prevent the bell from touching the bottom of the container.

At first, try to identify precisely what has caused the power mixer to stop.

• If it is due to a powercut if the appliance has been unplugged.

- Release the control button (CB).
- Check the power supply.
- Restart the power mixer following the paragraph entitled OPERATING THE APPLIANCE (page 6).

• If it is due to overheating of the machine

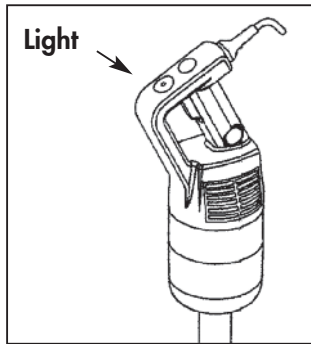
- Release the control button (CB).
- Unplug the power mixer.
- Wait a few minutes for the motor to cool down and the thermal safety mechanism to be reset.
- Restart the power mixer following the paragraph entitled OPERATING THE APPLIANCE (page 6).

• If you cannot locate the cause of the problem

- Release the control button (CB).
- Unplug the power mixer.
- Check :
 - the plug
 - that the blades are free to rotate in the bell,
 - the state of the power cord,
 - that the drive shaft is free to rotate. To do this, remove the bell and test the rotation of the end of the drive shaft manually.

- **If the intensity warning light flashes (MP 600 Ultra and MP 800 Turbo)**

In case of overload or use of the mixer in a too sticky preparation, the intensity warning flashes for 5 seconds to inform you that the motor will stop shortly. This stop indicates that the preparation in process is too thick or can not be made with a stick blender.



In this case, you can still restart your mixer. However, your machine will stop again if the consistency of the preparation is not modified.

If a malfunction occurs which is not on our list of possible faults, consult your retailer or return the appliance to the after-sales service.

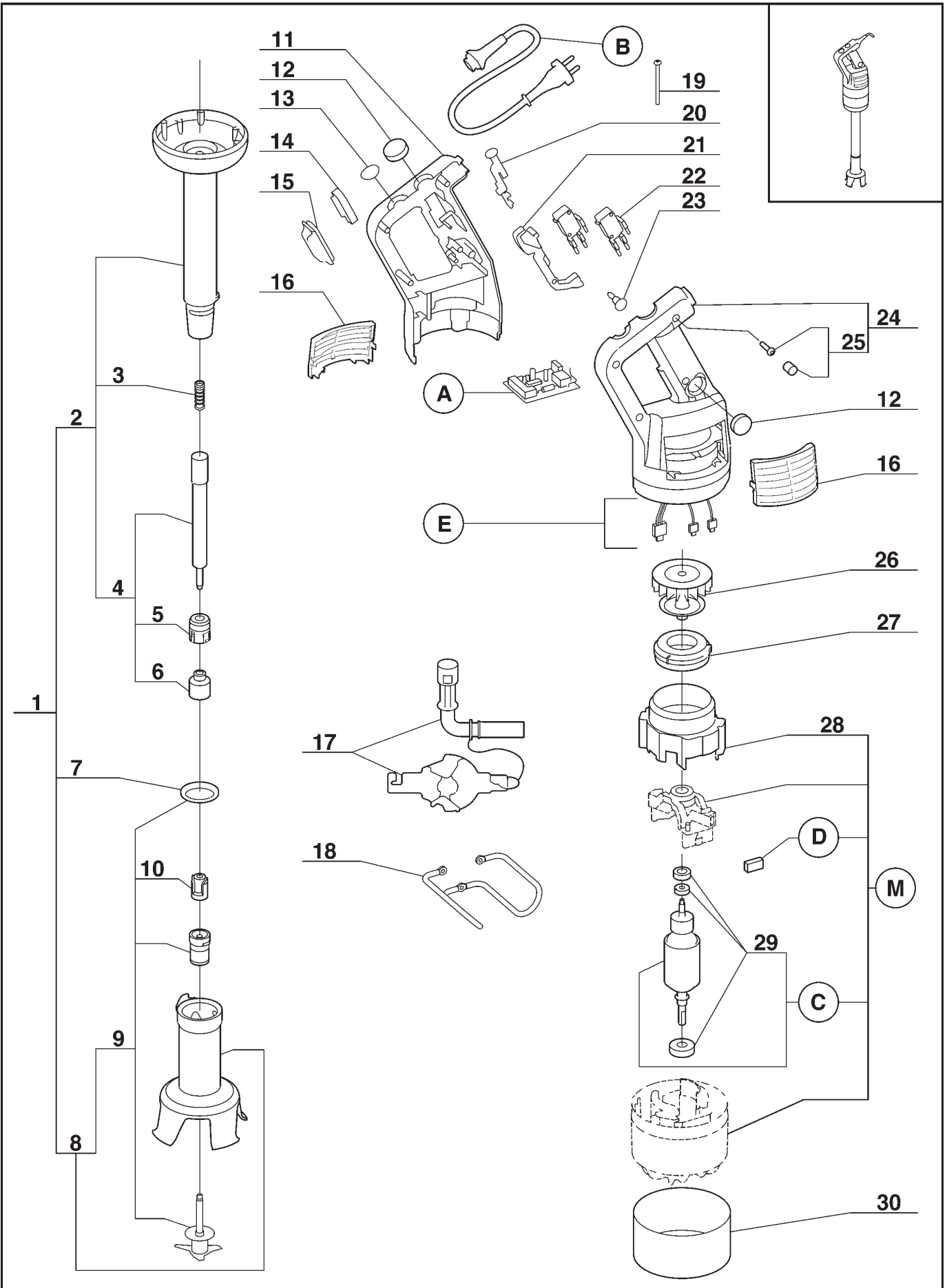
STANDARDS

MACHINES IN COMPLIANCE WITH:

- The following European directives and related national legislation:
 - Modified "machinery" directive 98/37/EEC,
 - "Low voltage" directive 73/23/EEC,
 - "EMC" directive 89/336/EEC,
 - "Materials and parts in food contact" directive 89/109/EEC,
 - Commission Directive 2002/72/EC of 6 August 2002 relating to plastic materials and articles intended to come into contact with foodstuffs.

- The following European harmonized standards and standards setting out health and safety rules:

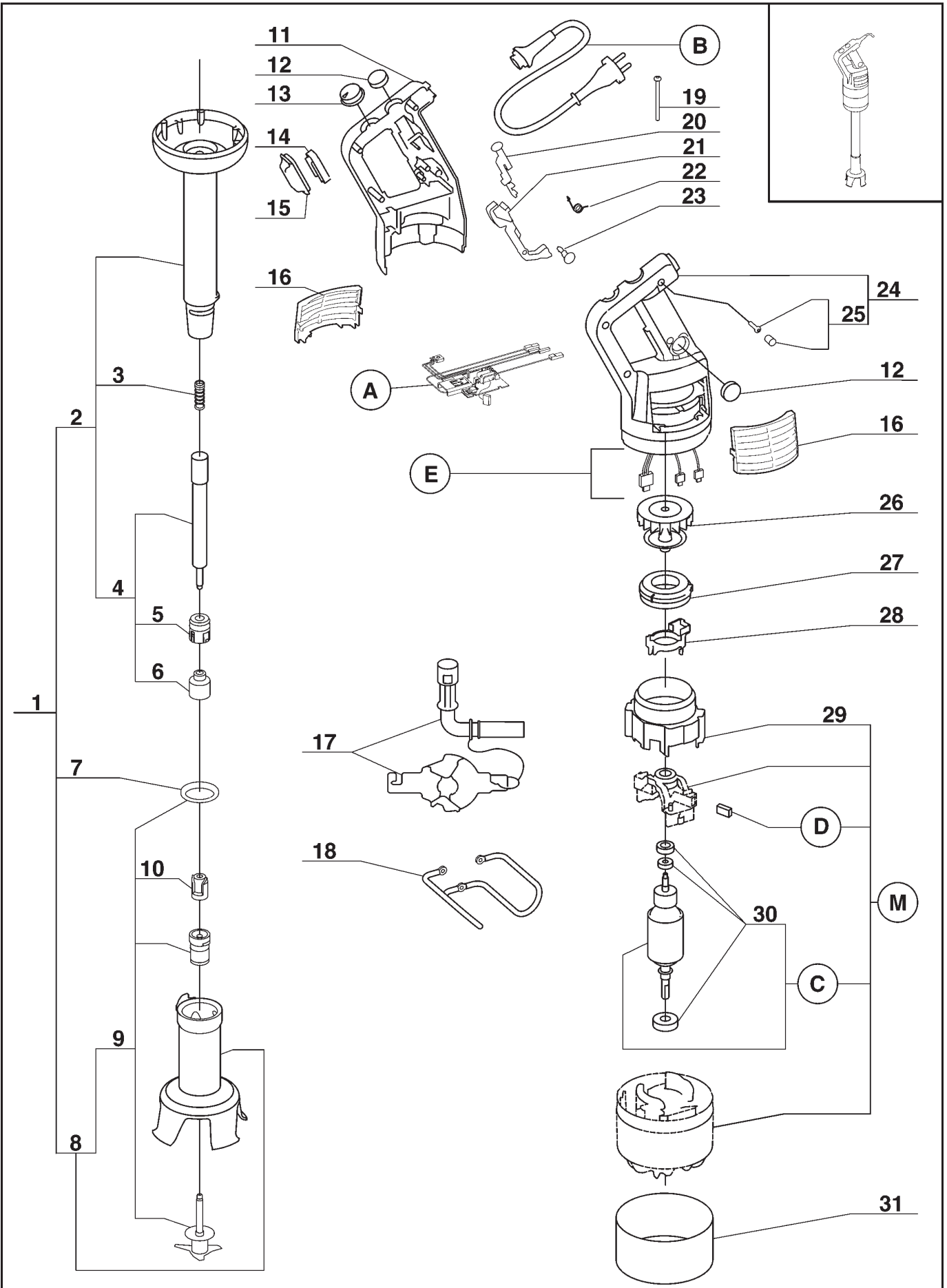
- EN 292 - 1 and - 2,
- EN 60204 -1 (1998),
- For hand-held blenders and whisk : EN 12853. (Procedure to follow if the stick blender is accidentally immersed during use).



Index	Pièce / Part	Désignation	Description
1	39 331	ENS. PIED COMPLET 350	FOOT 350 COMPLETE ASSEMBLY
2	39 332	ENS. PIED 350	FOOT 350 ASSEMBLY
3	102 570	RESSORT	SPRING
4	39 333	ENS. ARBRE D'ENTRAINEMENT 350	DRIVING SHAFT 350 ASSEMBLY
5	39 334	ENS. BAGUE PIED	FOOT BEARING RACE ASSEMBLY
6	105 281	CAGE D'ENTRAINEMENT INOX	STAINLESS STEEL DRIVING FRAME
7	102 417	JOINT DE PIED	FOOT SEAL
8	39 335	ENS. CLOCHE COMPLETE 450	COMPLETE 450 BELL COVER ASSEMBLY
9	39 337	ENS. COUTEAU 450	450 BLADE ASSEMBLY
10	105 268	MOYEU D'ENTRAINEMENT	DRIVING HUB
11	39 357	ENS. ½ POIGNEE DROITE	RIGHT HANDLE ASSEMBLY
12	39 359	ENS. CAPUCHON-BOUTON-CACHE VIS	CAP KNOB-CAP SCREW ASSEMBLY
13	39 360	ENS. BOUTON POIGNEE-CACHE VIS	CAP HANDLE-CAP SCREW ASSEMBLY
14	39 361	ENS. BAGUE MAINTIEN ETANCH-CACHE VIS	SEAL RING-CAP SCREW ASSEMBLY
15	39 362	ENS. CAPUCHON LEVIER CACHE VIS	CAP ARM-CAP SCREW ASSEMBLY
16	105 682	GRILLE	VENT COVER
17	29 540	ENS. OUTILLAGE DE DEMONTAGE	TOOL ASSEMBLY
18	102 439	SUPPORT MURAL	RACK
19	203 057	VIS M4x105	SCREW M4x105
20	39 363	ENS. BOUTON DE SECURITE-RESSORT	SECURITY KNOB-SPRING ASSEMBLY
21	39 364	ENS. LEVIER DE COMMANDE-CACHE VIS	COMMAND ARM-CAP SCREW ASSEMBLY
22	39 365	ENS. MICRO INTERRUPTEUR-CACHE VIS	MICROSWITCH-CAP SCREW
23	39 366	ENS. BOUTON VERROUILLAGE- RESSORT	LOCK KNOB ASSEMBLY-SPRING
24	39 367	ENS. ½ POIGNEE G (CAPOT)+VIS+CACHE	L HANDLE (COVER)+SCREW+CAP ASSEMBLY
25	39 368	ENS. VIS 3x19-CACHE-VIS POIGNEE	SCREW-CAP SCREW HANDLE ASSEMBLY
26	102 940	VENTILATEUR	VENTILATOR
27	102 728	COURONNE DE CANALISATION	AIR DUCT
28	503 058	CONDUIT VENTILATEUR	VENTILATOR PIPE
29	29 507	ENS. ROULEMENT MOTEUR	MOTEUR BEARING ASSEMBLY
30	89 031	VIROLE HAUTE MP 350 Ultra	MP 350 Ultra HIGH FERULE

Index	Désignation	Description
A	PLATINE	CIRCUIT BOARD
B	CABLE D'ALIMENTATION	POWER CORD
C	ENSEMBLE INDUIT	INDUCED CIRCUIT
D	CHARBON	BRUSH
E	ENSEMBLE FILS ELECTRIQUES	ELECTRICAL WIRING
M	MOTEUR	MOTOR

Machine	Voltage	A	B	C	D	E	M
34 600	230/50/1	39 392	39 396	29 508	503 059	39 425	89 040
34 601 UK	240/50/1	39 392	39 394	29 508	503 059	39 425	89 040
34 602 Aust	240/50/1	39 392	39 395	29 508	503 059	39 425	89 040
34 604	220/60/1	39 392	39 396	29 508	503 059	39 425	89 040
34 605	120/60/1	39 393	39 397	29 509	503 060	39 426	89 044
34 606 Suisse	230/50/1	39 392	39 398	29 508	503 059	39 425	89 040
34 609 Japon	120/60/1	39 393	89 523	29 509	503 060	39 426	89 044



Index	Pièce / Part	Désignation	Description
1	39 331	ENS. PIED COMPLET 350	FOOT 350 COMPLETE ASSEMBLY
2	39 332	ENS. PIED 350	FOOT 350 ASSEMBLY
3	102 570	RESSORT	SPRING
4	39 333	ENS. ARBRE D'ENTRAINEMENT 350	DRIVING SHAFT 350 ASSEMBLY
5	39 334	ENS. BAGUE PIED	FOOT BEARING RACE ASSEMBLY
6	105 281	CAGE D'ENTRAINEMENT INOX	STAINLESS STEEL DRIVING FRAME
7	102 417	JOINT DE PIED	FOOT SEAL
8	39 335	ENS. CLOCHE COMPLETE 450	COMPLETE 450 BELL COVER ASSEMBLY
9	39 337	ENS. COUTEAU 450	450 BLADE ASSEMBLY
10	105 268	MOYEU D'ENTRAINEMENT	DRIVING HUB
11	39 357	ENS. ½ POIGNEE DROITE	RIGHT HANDLE ASSEMBLY
12	39 359	ENS. CAPUCHON-BOUTON-CACHE VIS	CAP KNOB-CAP SCREW ASSEMBLY
13	39 374	ENS. BOUTON VARIATEUR EQUERRE-CACHE VIS	VARIA SWITCH EQUIP-CAP SCREW ASSEMBLY
14	39 361	ENS. BAGUE MAINTIEN ETANCH-CACHE VIS	SEAL RING-CAP SCREW ASSEMBLY
15	39 362	ENS. CAPUCHON LEVIER CACHE VIS	CAP ARM-CAP SCREW ASSEMBLY
16	105 682	GRILLE	VENT COVER
17	29 540	ENS. OUTILLAGE DE DEMONTAGE	TOOL ASSEMBLY
18	102 439	SUPPORT MURAL	RACK
19	203 057	VIS M4x105	SCREW M4x105
20	39 363	ENS. BOUTON DE SECURITE-RESSORT-CACHE VIS	SECURITY KNOB-SPRING CAP SCREW ASSEMBLY
21	39 375	ENS. LEVIER DE COMMANDE-CACHE VIS	COMMAND ARM-CAP SREW ASSEMBLY
22	39 376	ENS. RESSORT DE RAPPEL-CACHE VIS	RELEASE SPRING-CAP SCREW ASSEMBLY
23	39 366	ENS. BOUTON VERROUILLAGE- RESSORT	LOCK KNOB ASSEMBLY-SPRING
24	39 367	ENS. ½ POIGNEE G (CAPOT)+VIS+CACHE	L HANDLE (COVER)+SCREW+CAP ASSEMBLY
25	39 368	ENS. VIS 3x19-CACHE-VIS POIGNEE	SCREW-CAP SCREW HANDLE ASSEMBLY
26	102 958	VENTILATEUR AIMANT	VENTILATOR
27	102 728	COURONNE DE CANALISATION	AIR DUCT
28	102 741	SUPPORT SELF	SELF REST
29	503 058	CONDUIT VENTILATEUR	VENTILATOR PIPE
30	29 507	ENS. ROULEMENT MOTEUR	MOTEUR BEARING ASSEMBLY
31	89 037	VIROLE HAUTE MP 350 Ultra V.V.	MP 350 Ultra V.V. HIGH FERRULE

Index	Désignation	Description
A	PLATINE	CIRCUIT BOARD
B	CABLE D'ALIMENTATION	POWER CORD
C	ENSEMBLE INDUIT	INDUCED CIRCUIT
D	CHARBON	BRUSH
E	ENSEMBLE FILS ELECTRIQUES	ELECTRICAL WIRING
M	MOTEUR	MOTOR

Machine	Voltage	A	B	C	D	E	M
34 640	230/50/1	39 406	39 399	29 508	507 301	39 408	89 040
34 641 UK	240/50/1	39 406	39 400	29 508	507 301	39 408	89 040
34 642 Aust	240/50/1	39 406	39 401	29 508	507 301	39 408	89 040
34 644	220/60/1	39 406	39 399	29 508	507 301	39 408	89 040
34 645	120/60/1	39 407	39 403	29 509	507 302	39 409	89 044
34 646 Suisse	230/50/1	39 406	39 404	29 508	507 301	39 408	89 040
34 649 Japon	120/60/1	39 407	89 522	29 509	507 302	39 409	89 044

Index	Pièce / Part	Désignation	Description
1	39 338	ENS. PIED COMPLET 450	FOOT 450 COMPLETE ASSEMBLY
2	39 339	ENS.PIED 450	FOOT 450 ASSEMBLY
3	102 570	RESSORT	SPRING
4	39 340	ENS.ARBRE D'ENTRAINEMENT 450	DRIVING SHAFT 450 ASSEMBLY
5	39 334	ENS. BAGUE PIED	FOOT BEARING RACE ASSEMBLY
6	105 281	CAGE D'ENTRAINEMENT INOX	STAINLESS STEEL DRIVING FRAME
7	102 417	JOINT DE PIED	FOOT SEAL
8	39 335	ENS. CLOCHE COMPLETE 450	COMPLETE 450 BELL COVER ASSEMBLY
9	39 337	ENS.COUTEAU 450	450 BLADE ASSEMBLY
10	105 268	MOYEU D'ENTRAINEMENT	DRIVING HUB
11	39 357	ENS. ½ POIGNEE DROITE	RIGHT HANDLE ASSEMBLY
12	39 359	ENS CAPUCHON-BOUTON-CACHE VIS	CAP KNOB-CAP SCREW ASSEMBLY
13	39 360	ENS. BOUTON POIGNEE-CACHE VIS	CAP HANDLE-CAP SCREW ASSEMBLY
14	39 361	ENS. BAGUE MAINTIEN ETANCH-CACHE VIS	SEAL RING-CAP SCREW ASSEMBLY
15	39 362	ENS. CAPUCHON LEVIER CACHE VIS	CAP ARM-CAP SCREW ASSEMBLY
16	105 682	GRILLE	VENT COVER
17	29 540	ENS. OUTILLAGE DE DEMONTAGE	TOOL ASSEMBLY
18	102 439	SUPPORT MURAL	RACK
19	203 057	VIS M4x105	SCREW M4x105
20	39 363	ENS. BOUTON DE SECURITE-RESSORT	SECURITY KNOB-SPRING ASSEMBLY
21	39 364	ENS. LEVIER DE COMMANDE-CACHE VIS	COMMAND ARM-CAP SREW ASSEMBLY
22	39 365	ENS. MICRO INTERRUPTEUR-CACHE VIS	MICROSWITCH-CAP SCREW
23	39 366	ENS. BOUTON VERROUILLAGE- RESSORT	LOCK KNOB ASSEMBLY-SPRING
24	39 367	ENS. ½ POIGNEE G (CAPOT)+VIS+CACHE	L HANDLE (COVER)+SCREW+CAP ASSEMBLY
25	39 368	ENS. VIS 3x19-CACHE-VIS POIGNEE	SCREW-CAP SCREW HANDLE ASSEMBLY
26	102 940	VENTILATEUR	VENTILATOR
27	102 728	COURONNE DE CANALISATION	AIR DUCT
28	503 058	CONDUIT VENTILATEUR	VENTILATOR PIPE
29	29 507	ENS. ROULEMENT MOTEUR	MOTEUR BEARING ASSEMBLY
30	89 032	VIROLE HAUTE MP 450 Ultra	MP 450 Ultra HIGH FERRULE

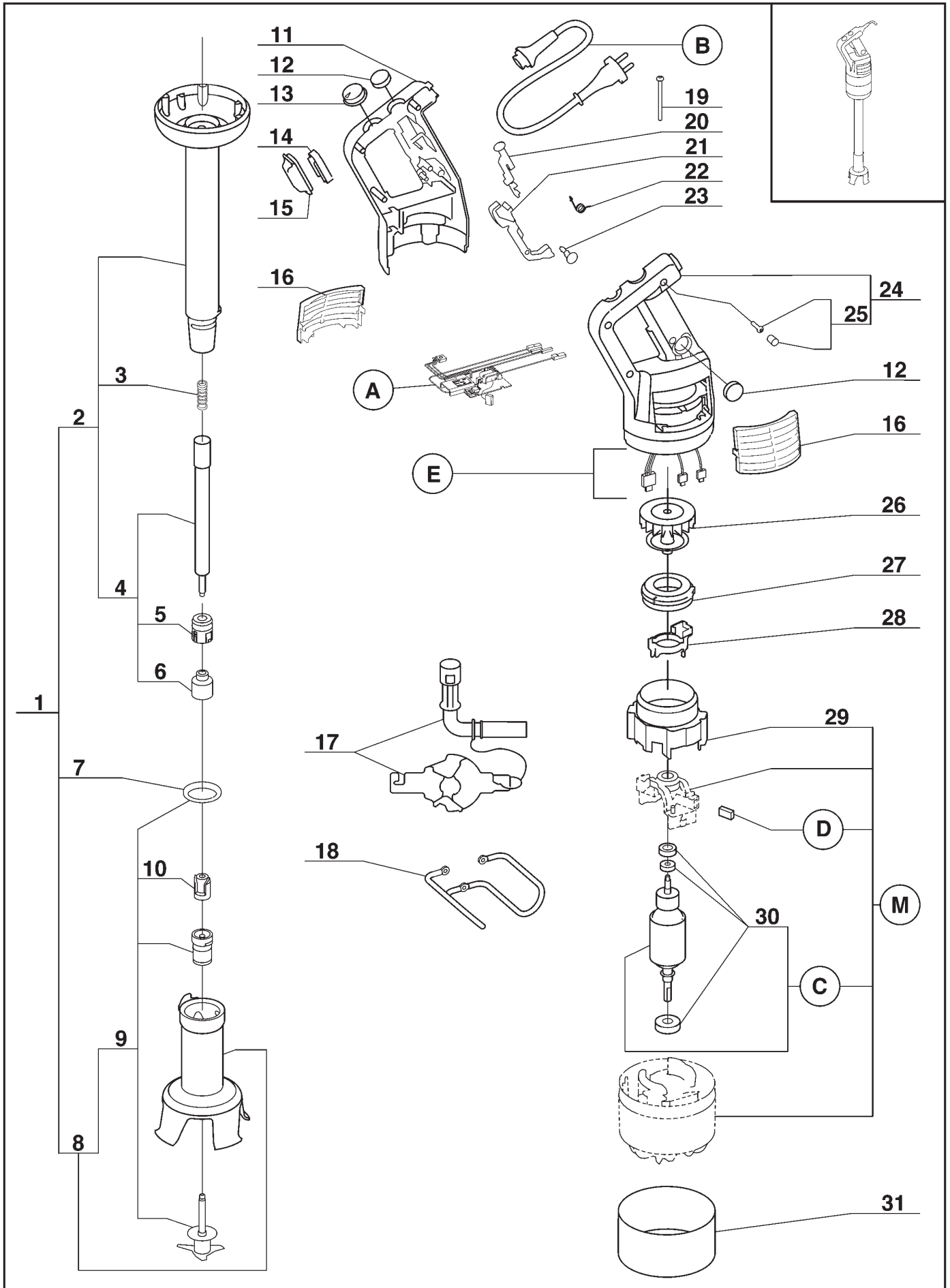
Index	Désignation	Description
A	PLATINE	CIRCUIT BOARD
B	CABLE D'ALIMENTATION	POWER CORD
C	ENSEMBLE INDUIT	INDUCED CIRCUIT
D	CHARBON	BRUSH
E	ENSEMBLE FILS ELECTRIQUES	ELECTRICAL WIRING
M	MOTEUR	MOTOR

Machine	Voltage	A	B	C	D	E	M
34 610	230/50/1	39 392	39 396	29 508	507 301	39 425	89 041
34 611 UK	240/50/1	39 392	39 394	29 508	507 301	39 425	89 041
34 612 Aust	240/50/1	39 392	39 395	29 508	507 301	39 425	89 041
34 614	220/60/1	39 392	39 396	29 508	507 301	39 425	89 041
34 615	120/60/1	39 393	39 397	29 509	507 302	39 426	89 045
34 616 Suisse	230/50/1	39 392	39 398	29 508	507 301	39 425	89 041
34 619 Japon	120/60/1	39 393	89 523	29 509	507 302	39 426	89 045

robotcoupe®

MP 450 Ultra V.V.

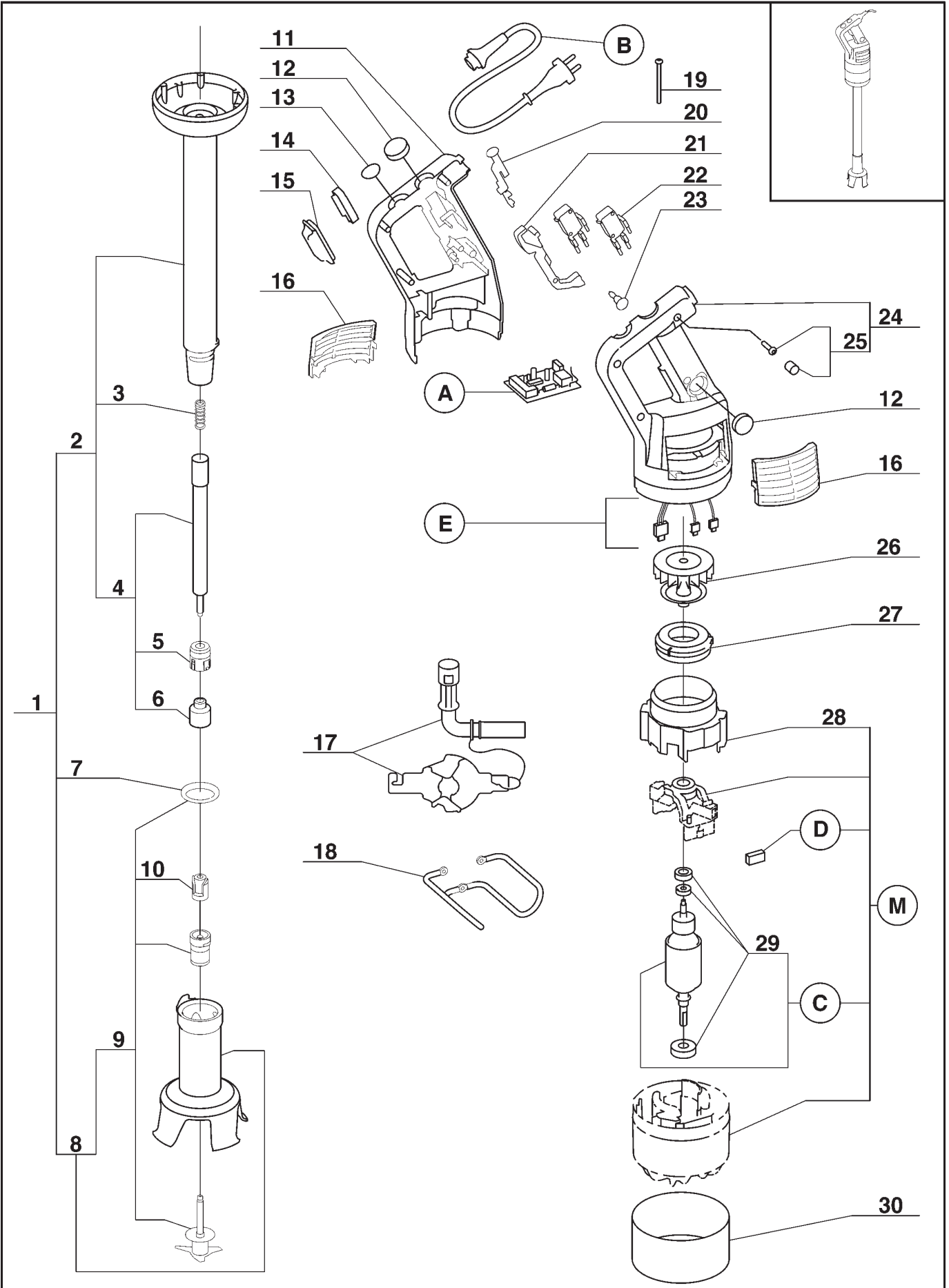
N° de série / Serial number
- 491 - - - - -



Index	Pièce / Part	Désignation	Description
1	39 338	ENS. PIED COMPLET 450	FOOT 450 COMPLETE ASSEMBLY
2	39 339	ENS.PIED 450	FOOT 450 ASSEMBLY
3	102 570	RESSORT	SPRING
4	39 340	ENS.ARBRE D'ENTRAINEMENT 450	DRIVING SHAFT 450 ASSEMBLY
5	39 334	ENS. BAGUE PIED	FOOT BEARING RACE ASSEMBLY
6	105 281	CAGE D'ENTRAINEMENT INOX	STAINLESS STEEL DRIVING FRAME
7	102 417	JOINT DE PIED	FOOT SEAL
8	39 335	ENS. CLOCHE COMPLETE 450	COMPLETE 450 BELL COVER ASSEMBLY
9	39 337	ENS.COUTEAU 450	450 BLADE ASSEMBLY
10	105 268	MOYEU D'ENTRAINEMENT	DRIVING HUB
11	39 357	ENS. ½ POIGNEE DROITE	RIGHT HANDLE ASSEMBLY
12	39 359	ENS CAPUCHON-BOUTON-CACHE VIS	CAP KNOB-CAP SCREW ASSEMBLY
13	39 374	ENS. BOUTON VARIATEUR EQUERRE-CACHE VIS	VARIA SWITCH EQUIP-CAP SCREW ASSEMBLY
14	39 361	ENS. BAGUE MAINTIEN ETANCH-CACHE VIS	SEAL RING-CAP SCREW ASSEMBLY
15	39 362	ENS. CAPUCHON LEVIER CACHE VIS	CAP ARM-CAP SCREW ASSEMBLY
16	105 682	GRILLE	VENT COVER
17	29 540	ENS. OUTILLAGE DE DEMONTAGE	TOOL ASSEMBLY
18	102 439	SUPPORT MURAL	RACK
19	203 057	VIS M4x105	SCREW M4x105
20	39 363	ENS. BOUTON DE SECURITE-RESSORT	SECURITY KNOB-SPRING ASSEMBLY
21	39 375	ENS. LEVIER DE COMMANDE-CACHE VIS	COMMAND ARM-CAP SREW ASSEMBLY
22	39 376	ENS. RESSORT DE RAPPEL-CACHE VIS	RELEASE SPRING-CAP SCREW ASSEMBLY
23	39 366	ENS. BOUTON VERROUILLAGE- RESSORT	LOCK KNOB ASSEMBLY-SPRING
24	39 367	ENS. ½ POIGNEE G (CAPOT)+VIS+CACHE	L HANDLE (COVER)+SCREW+CAP ASSEMBLY
25	39 368	ENS. VIS 3x19-CACHE-VIS POIGNEE	SCREW-CAP SCREW HANDLE ASSEMBLY
26	102 958	VENTILATEUR AIMANT	VENTILATOR
27	102 728	COURONNE DE CANALISATION	AIR DUCT
28	102 741	SUPPORT SELF	SELF REST
29	503 058	CONDUIT VENTILATEUR	VENTILATOR PIPE
30	29 507	ENS. ROULEMENT MOTEUR	MOTEUR BEARING ASSEMBLY
31	89 038	VIROLE HAUTE MP 450 Ultra V.V.	MP 450 Ultra V.V. HIGH FERRULE

Index	Désignation	Description
A	PLATINE	CIRCUIT BOARD
B	CABLE D'ALIMENTATION	POWER CORD
C	ENSEMBLE INDUIT	INDUCED CIRCUIT
D	CHARBON	BRUSH
E	ENSEMBLE FILS ELECTRIQUES	ELECTRICAL WIRING
M	MOTEUR	MOTOR

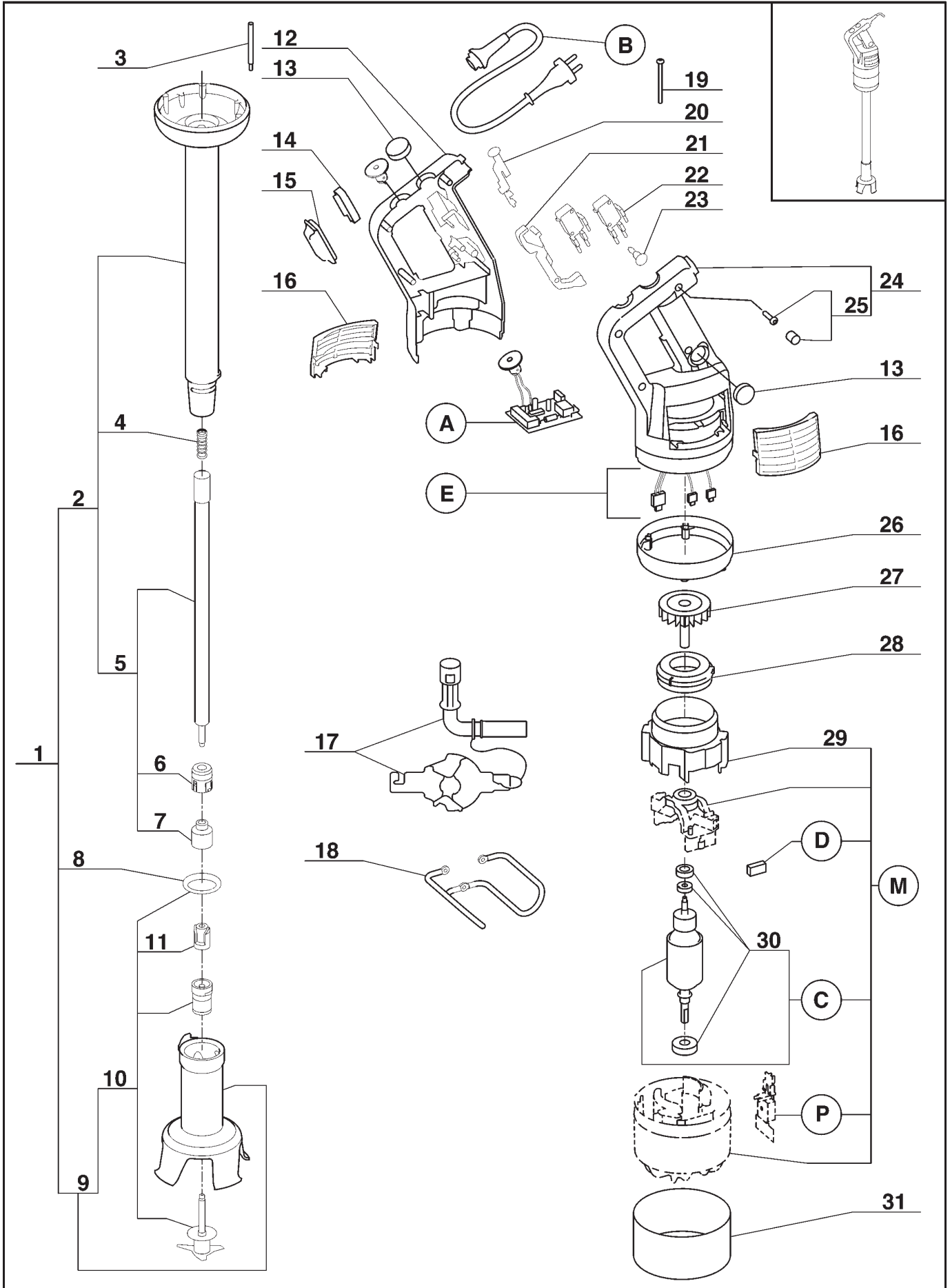
Machine	Voltage	A	B	C	D	E	M
34 650	230/50/1	39 406	39 399	29 508	507 301	39 408	89 041
34 651 UK	240/50/1	39 406	39 400	29 508	507 301	39 408	89 041
34 652 Aust	240/50/1	39 406	39 401	29 508	507 301	39 408	89 041
34 654	220/60/1	39 406	39 399	29 508	507 301	39 408	89 041
34 655	120/60/1	39 407	39 403	29 509	507 302	39 409	89 045
34 656 Suisse	230/50/1	39 406	39 404	29 508	507 301	39 408	89 041
34 659 Japon	120/60/1	39 407	89 522	29 509	507 302	39 409	89 045



Index	Pièce / Part	Désignation	Description
1	39 341	ENS. PIED COMPLET 550	FOOT 550 COMPLETE ASSEMBLY
2	39 342	ENS.PIED 550	FOOT 550 ASSEMBLY
3	102 570	RESSORT	SPRING
4	39 343	ENS.ARBRE D'ENTRAINEMENT 550	DRIVING SHAFT 550 ASSEMBLY
5	39 334	ENS. BAGUE PIED	FOOT BEARING RACE ASSEMBLY
6	105 281	CAGE D'ENTRAINEMENT INOX	STAINLESS STEEL DRIVING FRAME
7	102 417	JOINT DE PIED	FOOT SEAL
8	39 344	ENS. CLOCHE COMPLETE 550	COMPLETE 550 BELL COVER ASSEMBLY
9	39 345	ENS. COUTEAU 550	550 BLADE ASSEMBLY
10	105 268	MOYEU D'ENTRAINEMENT	DRIVING HUB
11	39 357	ENS. ½ POIGNEE DROITE	RIGHT HANDLE ASSEMBLY
12	39 359	ENS CAPUCHON-BOUTON-CACHE VIS	CAP KNOB-CAP SCREW ASSEMBLY
13	39 360	ENS. BOUTON POIGNEE-CACHE VIS	CAP HANDLE-CAP SCREW ASSEMBLY
14	39 361	ENS. BAGUE MAINTIEN ETANCH-CACHE VIS	SEAL RING-CAP SCREW ASSEMBLY
15	39 362	ENS. CAPUCHON LEVIER CACHE VIS	CAP ARM-CAP SCREW ASSEMBLY
16	105 682	GRILLE	VENT COVER
17	29 540	ENS. OUTIL DE DEMONTAGE	TOOL ASSEMBLY
18	102 439	SUPPORT MURAL	RACK
19	203 057	VIS M4x105	SCREW M4x105
20	39 363	ENS. BOUTON DE SECURITE-RESSORT	SECURITY KNOB-SPRING ASSEMBLY
21	39 364	ENS. LEVIER DE COMMANDE-CACHE VIS	COMMAND ARM-CAP SREW ASSEMBLY
22	39 365	ENS. MICRO INTERRUPTEUR-CACHE VIS	MICROSWITCH-CAP SCREW
23	39 366	ENS. BOUTON VERROUILLAGE- RESSORT	LOCK KNOB ASSEMBLY-SPRING
24	39 367	ENS. ½ POIGNEE G (CAPOT)+VIS+CACHE	L HANDLE (COVER)+SCREW+CAP ASSEMBLY
25	39 368	ENS. VIS 3x19-CACHE-VIS POIGNEE	SCREW-CAP SCREW HANDLE ASSEMBLY
26	102 940	VENTILATEUR	VENTILATOR
27	102 728	COURONNE DE CANALISATION	AIR DUCT
28	503 058	CONDUIT VENTILATEUR	VENTILATOR PIPE
29	29 507	ENS. ROULEMENT MOTEUR	MOTEUR BEARING ASSEMBLY
30	89 033	VIROLE HAUTE MP 550 Ultra	MP 550 Ultra HIGH FERRULE

Index	Désignation	Description
A	PLATINE	CIRCUIT BOARD
B	CABLE D'ALIMENTATION	POWER CORD
C	ENSEMBLE INDUIT	INDUCED CIRCUIT
D	CHARBON	BRUSH
E	ENSEMBLE FILS ELECTRIQUES	ELECTRICAL WIRING
M	MOTEUR	MOTOR

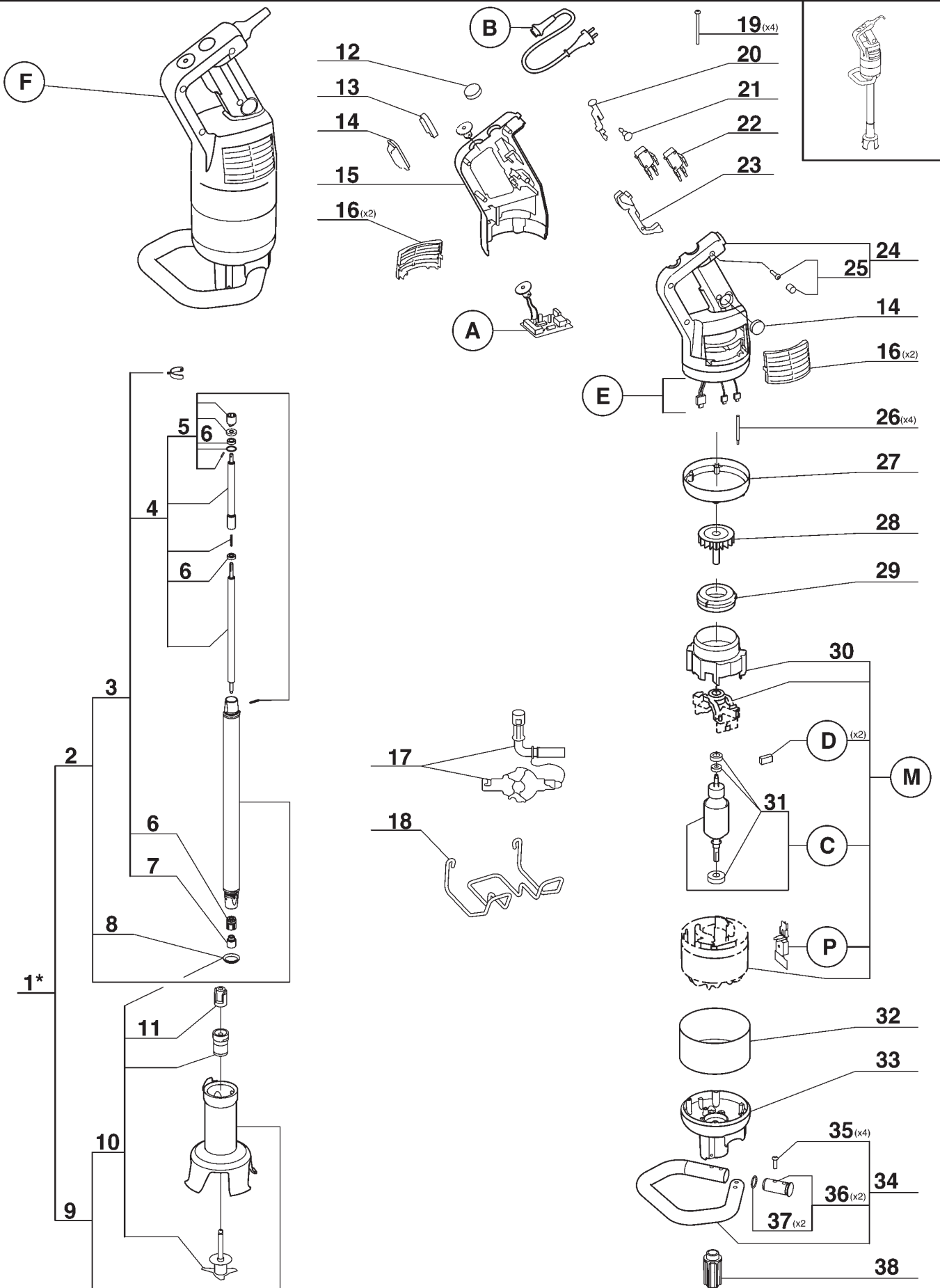
Machine	Voltage	A	B	C	D	E	M
34 620	230/50/1	39 430	39 396	29 510	507 301	39 425	89 042
34 621 UK	240/50/1	39 430	39 394	29 510	507 301	39 425	89 042
34 622 Aust	240/50/1	39 430	39 395	29 510	507 301	39 425	89 042
34 624	220/60/1	39 430	39 396	29 510	507 301	39 425	89 042
34 625	120/60/1	39 431	39 397	29 511	507 302	39 426	89 046
34 626 Suisse	230/50/1	39 430	39 398	29 510	507 301	39 425	89 042
34 629 Japon	120/60/1	39 431	89 523	29 511	507 302	39 426	89 046



Index	Pièce / Part	Désignation	Description
1	39 346	ENS. PIED COMPLET 600	FOOT 600 COMPLETE ASSEMBLY
2	39 348	ENS. PIED 600	FOOT 600 ASSEMBLY
3	103831	TIRANT	SCREWED SPACER
4	102 570	RESSORT	SPRING
5	39 349	ENS. ARBRE D'ENTRAINEMENT 600	DRIVING SHAFT 600 ASSEMBLY
6	39 334	ENS. BAGUE PIED	FOOT BEARING RACE ASSEMBLY
7	105 281	CAGE D'ENTRAINEMENT INOX	STAINLESS STEEL DRIVING FRAME
8	102 417	JOINT DE PIED	FOOT SEAL
9	39 344	ENS. CLOCHE COMPLETE 550	COMPLETE 550 BELL COVER ASSEMBLY
10	39 345	ENS. COUTEAU 550	550 BLADE ASSEMBLY
11	105 268	MOYEU D'ENTRAINEMENT	DRIVING HUB
12	39 372	ENS. ½ POIGNEE DROITE	RIGHT HANDLE ASSEMBLY
13	39 359	ENS. CAPUCHON-BOUTON-CACHE VIS	CAP KNOB-CAP SCREW ASSEMBLY
14	39 361	ENS. BAGUE MAINTIEN ETANCH-CACHE VIS	SEAL RING-CAP SCREW ASSEMBLY
15	39 362	ENS. CAPUCHON LEVIER CACHE VIS	CAP ARM-CAP SCREW ASSEMBLY
16	105 682	GRILLE	VENT COVER
17	29 540	ENS. OUTILLAGE DE DEMONTAGE	TOOL ASSEMBLY
18	102 439	SUPPORT MURAL	RACK
19	203 168	VIS M4x60	SCREW M4x60
20	39 363	ENS. BOUTON DE SECURITE-RESSORT	SECURITY KNOB-SPRING ASSEMBLY
21	39 364	ENS. LEVIER DE COMMANDE-CACHE VIS	COMMAND ARM-CAP SREW ASSEMBLY
22	39 365	ENS. MICRO INTERRUPTEUR-CACHE VIS	MICROSWITCH-CAP SCREW
23	39 366	ENS. BOUTON VERROUILLAGE- RESSORT	LOCK KNOB ASSEMBLY-SPRING
24	39 373	ENS. ½ POIGNEE G (CAPOT)+VIS+CACHE	L HANDLE (COVER)+SCREW+CAP ASSEMBLY
25	39 368	ENS. VIS 3x19-CACHE-VIS POIGNEE	SCREW-CAP SCREW HANDLE ASSEMBLY
26	103 833	VIROLE MOTEUR	MOTEUR FERRULE
27	103 349	VENTILATEUR	VENTILATOR
28	103 375	COURONNE DE CANALISATION	AIR DUCT
29	29 507	ENS. ROULEMENT MOTEUR	MOTEUR BEARING ASSEMBLY
30	503 058	CONDUIT VENTILATEUR	VENTILATOR PIPE
31	89 034	VIROLE.HAUTE MP 600 Ultra	MP 600 Ultra HIGH FERRULE

Index	Désignation	Description
A	PLATINE	CIRCUIT BOARD
B	CABLE D'ALIMENTATION	POWER CORD
C	ENSEMBLE INDUIT	INDUCED CIRCUIT
D	CHARBON	BRUSH
E	ENSEMBLE FILS ELECTRIQUES	ELECTRICAL WIRING
M	MOTEUR	MOTOR
P	PONT DE DIODES	RECTIFIER BRIDGE

Machine	Voltage	A	B	C	D	E	M	P
34 630	230/50/1	39 428	39 396	29 976	507 301	39 425	89 043	-
34 631 UK	240/50/1	39 428	39 394	29 976	507 301	39 425	89 043	-
34 632 Aust	240/50/1	39 428	39 395	29 976	507 301	39 425	89 043	-
34 634	220/60/1	39 428	39 396	29 976	507 301	39 425	89 043	-
34 635	120/60/1	39 429	39 397	29 977	507 302	39 427	89 566	507 186
34 636 Suisse	230/50/1	39 428	39 398	29 976	507 301	39 425	89 043	-
34 639 Japon	120/60/1	39 429	89 523	29 977	507 302	39 427	89 566	507 186

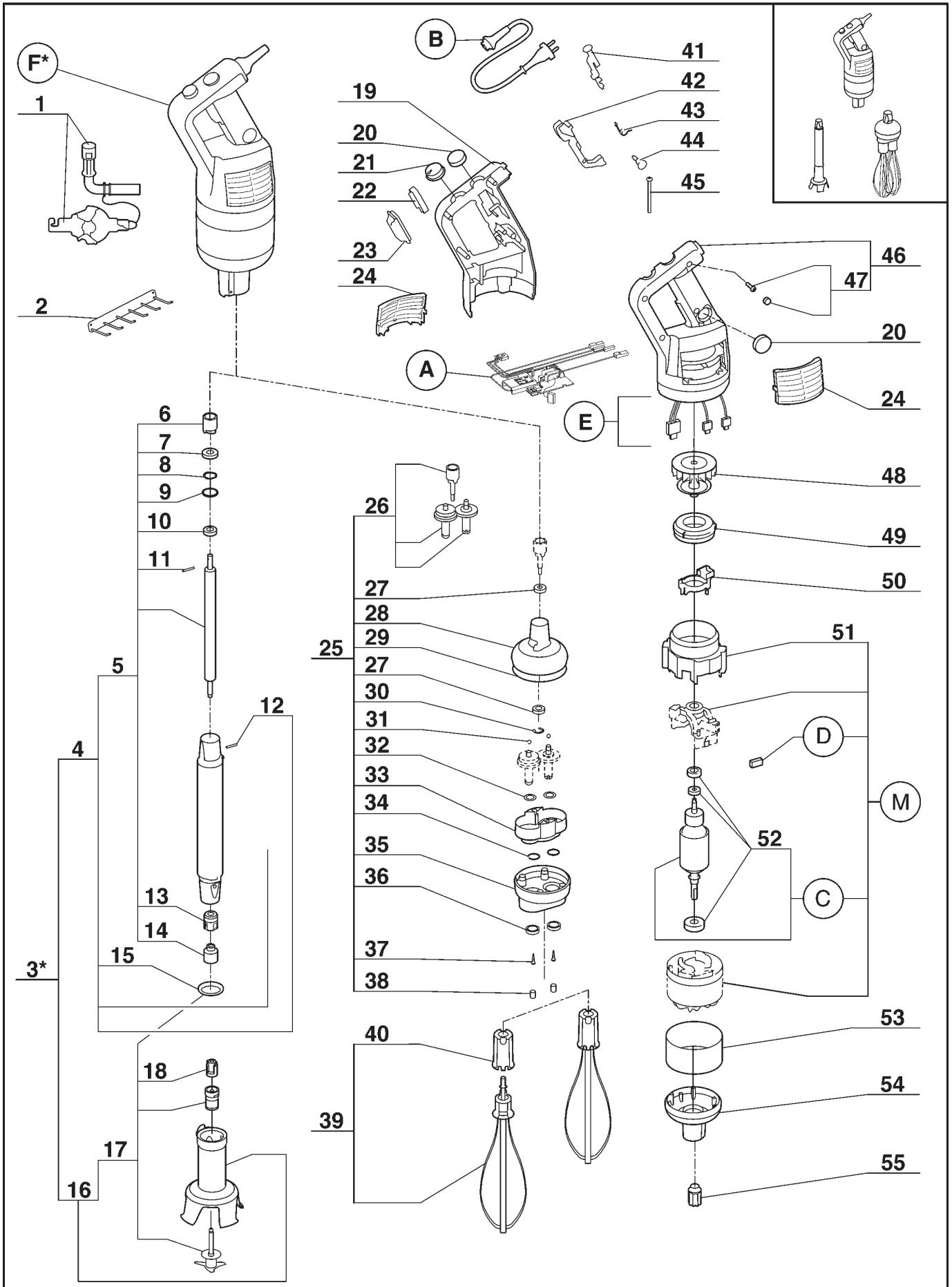


* Voir tarif machine / see export price list

Index	Pièce / Part	Désignation	Description
1	*89 001	PIED COMPLET MP 800 T	MP 800 T COMPLETE FOOT
2	89 002	PIED MP 800 T EQUIPE	MP 800 T FOOT
3	89 003	ARBRE D'ENTRAINEMENT MP 800 T EQUIPEE	MP 800 T DRIVING SHAFT ASSEMBLY
4	89 004	ARBRE D'ENTRAINEMENT MP 800 T	MP 800 T DRIVING SHAFT
5	89 643	KIT PIED MPC / CMP / CMPC	MPC / CMP / CMPC FOOT KIT
6	89 006	ROULEMENT PIED MP 800 T	MP 800 T BEARING FOOT
7	105 281	CAGE D'ENTRAINEMENT INOX	STAINLESS STEEL DRIVING FRAME
8	102 417	JOINT DE PIED	FOOT SEAL
9	39 334	CLOCHE INOX MP 550 EQUIPEE	550 STAINLESS STEEL BELL
10	39 345	COUTEAU MP 550	550 BELL
11	105 268	MOYEU MPA	MPA DRIVING HUB
12	39 359	CAPUCHON-BOUTON+C-VIS MPA	CAP KNOB-CAP SCREW ASSEMBLY
13	39 361	BAGUE DE MAINTIEN+C-VIS MPA	SEAL RING CAP SCREW ASSEMBLY
14	39 362	CAPUCHON LEVIER MPA	CAP ARM CAP SCREW ASSEMBLY
15	39 372	½ POIGNEE D MP 600 A	RIGHT HANDLE ASSEMBLY
16	105 682	GRILLE	VENT COVER
17	29 540	OUTILLAGE DE DEMONTAGE MP	TOOL ASSEMBLY
18	89 007	SUPPORT MURAL MP 800 T	MP 800 T RACK
19	203 168	VIS M4x60	SCREW M4x60
20	39 363	BOUTON DE SECURITE-RESSORT	SECURITY KNOB SPRING ASSEMBLY
21	39 366	BOUTON DE VERROUILLAGE-RESSORT	LOCK KNOB ASSEMBLY SPRING
22	39 365	MICRORUPTEUR	MICROSWITCH
23	39 364	LEVIER DE COMMANDE MP	COMMAND ARM CAP SCREW ASSEMBLY
24	39 373	½ POIGNEE G (CAPOT)+VIS+CACHE	LEFT HANDLE (COVER)+SCREW+CAP ASSEMBLY
25	39 368	CACHE-VIS+VIS MP-CMP	SCREW CAP SCREW HANDLE ASSEMBLY
26	103 381	TIRANT MP 600	SCREW SPAAR
27	103 883	VIROLE MOTEUR MP 600	MOTOR FERRULE
28	103 349	VENTILATEUR MP 600	VENTILATOR
29	103 375	COURONNE DE CANALISATION MP 600	AIR DUCT
30	503 058	CONDUIT DE VENTILATION MP	VENTILATOR PIPE
31	29 507	ROULEMENT MOTEUR MP	MOTEUR BEARING ASSEMBLY
32	89 008	VIROLE DECOR MP 800 T	MP 800 T FERRULE
33	89 009	CARTER ALU MP 800 T	MP 800 T ALUMINIUM CASING
34	89 000	POIGNEE INOX MP 800 T	MP 800 T STAINLESS-STEEL HANDLE
35	89 022	VIS POIGNEE MP 800 T	MP 800 T HANDLE SCREW
36	89 023	BOUCHON MP 800 T EQUIPEE	MP 800 T CAP
37	89 024	JOINT BOUCHON MP 800 T	MP 800 T SEAL CAP
38	89 010	MOYEU D'ENTRAINEMENT MP 800 T	MP 800 T DRIVING HUB

<i>Index</i>	<i>Désignation</i>	<i>Description</i>
A	PLATINE	CIRCUIT BOARD
B	CABLE D'ALIMENTATION	POWER CORD
C	ENSEMBLE INDUIT	INDUCED CIRCUIT
D	CHARBON	BRUSH
E	ENSEMBLE FILS ELECTRIQUES	ELECTRICAL WIRING
F	ENSEMBLE BLOC MOTEUR COMPLET	BLOC MOTOR ASSEMBLY
M	MOTEUR	MOTOR
P	PONT DE DIODES	RECTIFIER BRIDGE

Machine	Voltage	A	B	C	D	E	F	M	P
34 490	230/50/1	39 428	39 396	29 976	507 301	89 011	89 012	89 021	507 186
34 491 UK	240/50/1	39 428	39 394	29 976	507 301	89 011	89 013	89 021	507 186
34 492 Aust	240/50/1	39 428	39 395	29 976	507 301	89 011	89 014	89 021	507 186
34 494	220/60/1	39 428	39 396	29 976	507 301	89 011	89 015	89 021	507 186
34 495	120/60/1	39 429	39 397	29 977	507 302	39 427	89 016	89 566	507 186
34 496 Suisse	230/50/1	39 428	39 398	29 976	507 301	89 011	89 017	89 021	507 186
34 499 Japon	120/60/1	39 429	89 523	29 977	507 302	39 427	89 018	89 566	507 186

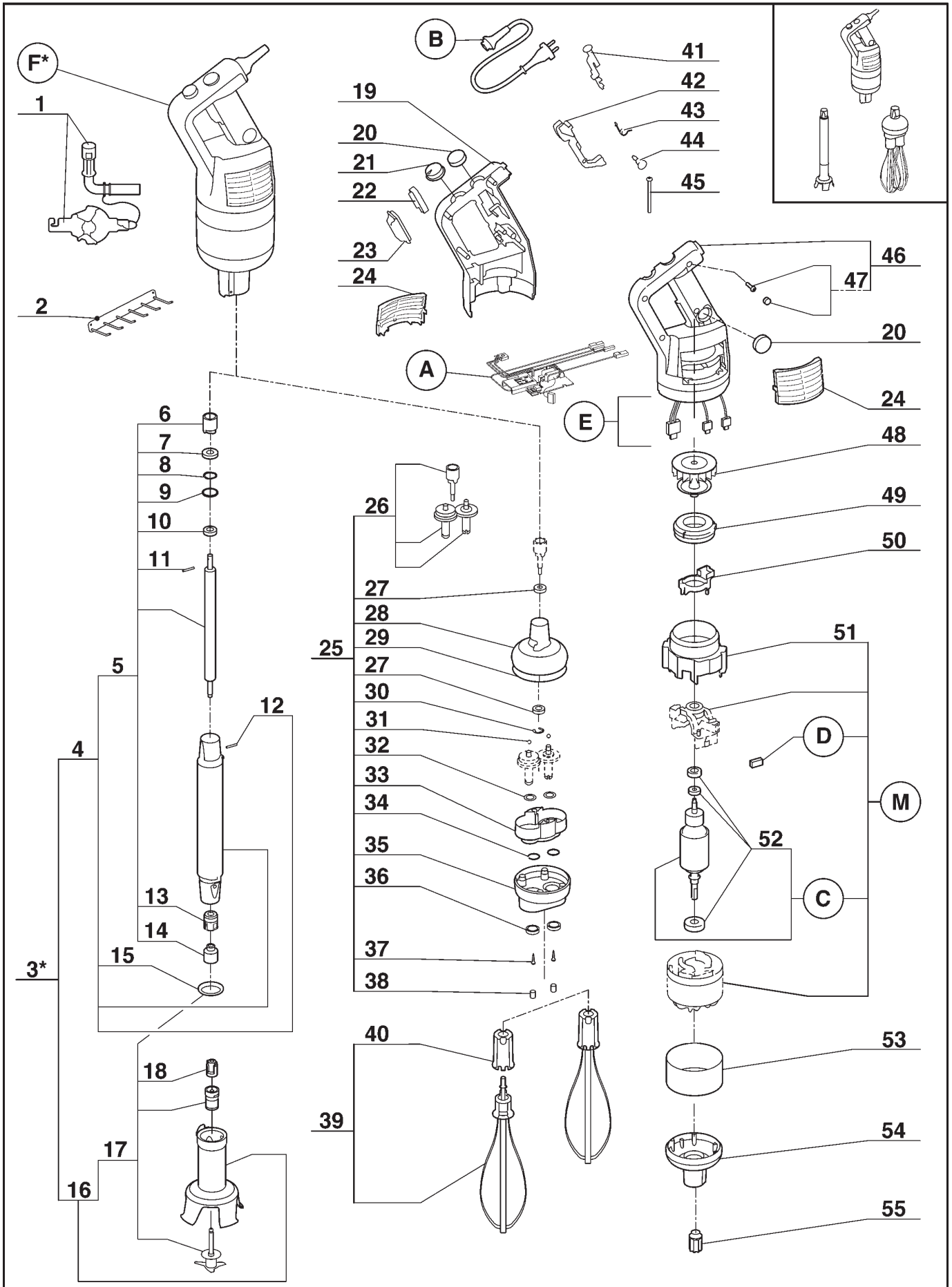


* Voir tarif machines / See export price list

Index	Pièce / Part	Désignation	Description
1	29 540	ENS. OUTIL DE DEMONTAGE	TOOL ASSEMBLY
2	102 897	SUPPORT MURAL	RACK
3	* 39 354	ENS. PIED COMPLET MP 350 C	FOOT MP 350 C COMPLETE ASSEMBLY
4	39 452	PIED MP 350 Combi EQUIPE	FOOT
5	39 352	ENS. ARBRE D'ENTRAINEMENT MP 350 C	DRIVING SHAFT MP 350 Combi ASSEMBLY
6	102 832	CAGE D'ENTRAINEMENT Combi	DRIVING FRAME
7	102 963	BUTEE ROULEMENT	STOP BEARING
8	203 118	RONDELLE ELASTIQUE D22	ELASTIC RING
9	507 075	JOINT TORIQUE Ø 21,6x2,4	SEAL
10	507 262	ROULEMENT DE PIED (608 2RS)	FOOT BEARING
11	203 080	GOUPILLE Ø 3x22	PIN
12	203 083	GOUPILLE Ø 3x28	PIN
13	39 334	BAGUE PIED EQUIPEE	FOOT BEARING RACE ASSEMBLY
14	105 281	CAGE D'ENTRAINEMENT INOX	STAINLESS STEEL DRIVING FRAME
15	102 417	JOINT DE PIED	FOOT SEAL
16	39 335	ENS. CLOCHE COMPLETE 450	COMPLETE 450 BELL COVER ASSEMBLY
17	39 337	ENS. COUTEAU 450	450 BLADE ASSEMBLY
18	105 268	MOYEU D'ENTRAINEMENT	DRIVING HUB
19	39 357	ENS. ½ POIGNEE DROITE	RIGHT HANDLE ASSEMBLY
20	39 359	ENS. CAPUCHON-BOUTON-CACHE VIS	CAP KNOB-CAP SCREW ASSEMBLY
21	39 374	ENS. BOUTON VARIATEUR EQU-CACHE VIS	VARIA SWITCH EQUIP-CAP SCREW ASSEMBLY
22	39 361	ENS. BAGUE MAINTIEN ETANCH-CACHE VIS	SEAL RING-CAP SCREW ASSEMBLY
23	39 362	ENS. CAPUCHON LEVIER-CACHE VIS	CAP ARM-CAP SCREW ASSEMBLY
24	105 682	GRILLE	VENT COVER
25	105 672	BOITE FOUET	WHIP BOX
26	39 377	ENS. PIGNONS FW + BAGUE	GEARS ASSEMBLY FW+RING
27	39 378	ENS. ROULEMENT-CACHE-VIS BOITE FOUET	BEARING-CAP SCREW WHIP BOX ASSEMBLY
28	39 379	ENS. COQUE SUP. BOITE FOUETS ALUMINIUM	ALUMINIUM UPPER BODY ASSEMBLY
29	39 381	ENS. JOINT TORIQUE Ø 96,97x1,78-CACHE VIS	SEAL-CAP SCREW ASSEMBLY
30	39 382	ENS. ANNEAU "E"-CACHE VIS	"E" RING-CAP SCREW ASSEMBLY
31	39 383	ENS. BILLE Ø 5-CACHE VIS	BALL-CAP SCREW ASSEMBLY
32	39 384	ENS. RONDELLE D'USURE FW-CACHE VIS	WEARING RING-CAP SCREW ASSEMBLY
33	39 385	ENS. FLASQUE+VIS+CACHE-VIS BOITE COQUE ALU.	PLATE ASSEMB/SCREW/CAP SCREW/ALU BODY
34	39 386	ENS. JOINT TORIQUE 26x2 BOITE FOUET COQUE ALU.	SEAL WHIP BOX ALU. BODY ASSEMBLY
35	39 387	ENS. COQUE INF. ALUMINIUM	ALUMINIUM LOWER BODY ASSEMBLY
36	39 388	ENS. JOINT A LEVRE (14-24-6)-CACHE VIS	SEAL-CAP SCREW ASSEMBLY
37	39 389	ENS. VIS 3x19-CACHE VIS BOITE FOUET	3X19 SCREW – CAP SCREW ASSEMBLY
38	39 390	ENS. CACHE VIS BOITE FOUET	LOWER BODY-CAP SCREW ASSEMBLY
39	105 680	FOUET	WHIP
40	105 681	EJECTEUR FOUET	WHIP EJECTOR
41	39 363	ENS. BOUTON DE SECURITE-RESSORT-CACHE VIS	SECU. KNOB-SPRING-CAP.SCREW ASSEMBLY
42	39 375	ENS. LEVIER DE COMMANDE-CACHE VIS	COMMAND ARM-CAP SCREW ASSEMBLY
43	39 376	ENS. RESSORT DE RAPPEL-CACHE VIS	ADJUSTING SPRING-CAP SCREW ASSEMBLY
44	39 366	ENS. BOUTON VERROUILLAGE-RESSORT	LOCK KNOB ASSEMBLY-RING
45	203 057	VIS M4x105	SCREW
46	39 367	ENS. ½ POIGNEE GAUCHE+(CAPOT)+VIS+CACHE	L HANDLE(COVER)+SCREW+CAP ASSEMBLY
47	39 368	ENS. VIS 3x19-CACHE VIS POIGNEE	SCREW-CAP SCREW ASSEMBLY
48	102 958	VENTILATEUR AIMANT	VENTILATOR
49	102 728	COURONNE DE CANALISATION	AIR DUCT
50	102 741	SUPPORT SELF	SELF REST
51	503 058	CONDUIT VENTILATEUR	VENTILATOR PIPE
52	29 507	ENS. ROULEMENT MOTEUR	MOTOR BEARING ASSEMBLY
53	89 035	VIROLE HAUTE MP 350 Ultra COMBI	MP 350 Ultra COMBI HIGH FERRULE
54	102 901	CARTER ALUMINIUM	ALUMINIUM CASING
55	102 816	MOYEU D'ENTRAINEMENT Combi	DRIVING HUB

<i>Index</i>	<i>Désignation</i>	<i>Description</i>
A	PLATINE	CIRCUIT BOARD
B	CABLE D'ALIMENTATION	POWER CORD
C	ENSEMBLE INDUIT	INDUCED CIRCUIT
D	CHARBON	BRUSH
E	ENSEMBLE FILS ELECTRIQUES	ELECTRICAL WIRING
F*	ENSEMBLE BLOC MOTEUR COMPLET	BLOCK MOTEUR ASSEMBLY
M	MOTEUR	MOTOR

Machine	Voltage	A	B	C	D	E	F*	M
34 660	230/50/1	39 406	39 399	29 508	507 301	39 408	39 418	89 040
34 661 UK	240/50/1	39 406	39 400	29 508	507 301	39 408	39 419	89 040
34 662 Aust	240/50/1	39 406	39 401	29 508	507 301	39 408	39 420	89 040
34 664	220/60/1	39 406	39 399	29 508	507 301	39 408	39 421	89 044
34 665	120/60/1	39 407	39 403	29 509	507 302	39 409	39 422	89 044
34 666 Suisse	230/50/1	39 406	39 404	29 508	507 301	39 408	39 423	89 040
34 667 Suède	230/50/1	39 406	39 405	29 508	507 301	39 408	39 424	89 040
34 669 Japon	120/60/1	39 407	89 522	29 509	507 302	39 409	39 526	89 044

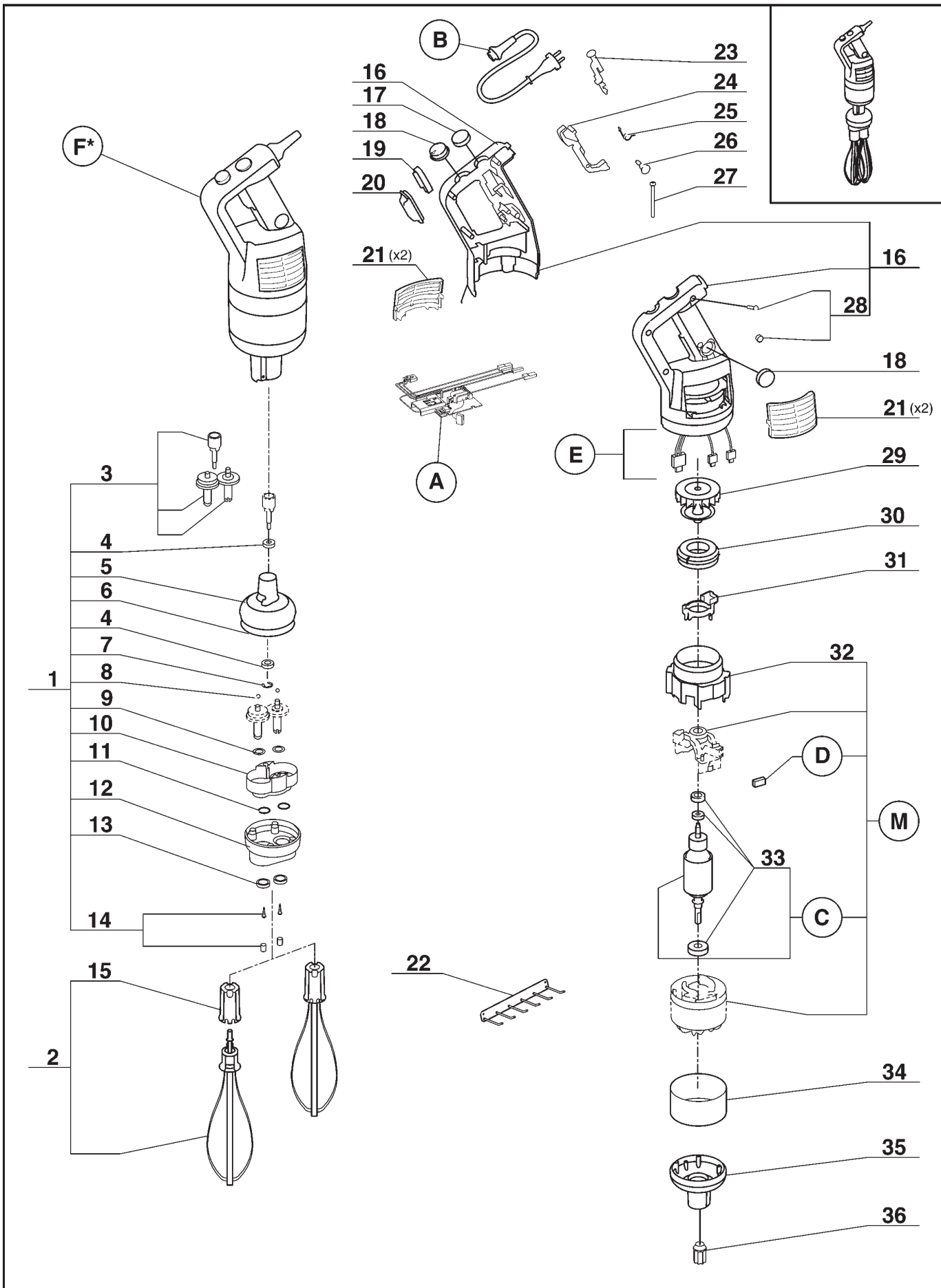


* Voir tarif machines / See export price list

Index	Pièce / Part	Désignation	Description
1	29 540	ENS. OUTIL DE DEMONTAGE	TOOL ASSEMBLY
2	102 897	SUPPORT MURAL	RACK
3	* 39 355	ENS. PIED COMPLET MP 450 C	FOOT MP 450 C COMPLETE ASSEMBLY
4	39 453	PIED MP 450 Combi EQUIPE	FOOT
5	39 350	ENS. ARBRE D'ENTRAINEMENT MP 450 C	DRIVING SHAFT MP 450 Combi ASSEMBLY
6	102 832	CAGE D'ENTRAINEMENT Combi	DRIVING FRAME
7	102 963	BUTEE ROULEMENT	STOP BEARING
8	203 118	RONDELLE ELASTIQUE D22	ELASTIC RING
9	507 075	JOINT TORIQUE Ø 21,6x2,4	SEAL
10	507 262	ROULEMENT DE PIED (608 2RS)	FOOT BEARING
11	203 080	GOUPILLE Ø 3x22	PIN
12	203 083	GOUPILLE Ø 3x28	PIN
13	39 334	BAGUE PIED EQUIPEE	FOOT BEARING RACE ASSEMBLY
14	105 281	CAGE D'ENTRAINEMENT INOX	STAINLESS STEEL DRIVING FRAME
15	102 417	JOINT DE PIED	FOOT SEAL
16	39 335	ENS. CLOCHE COMPLETE 450	COMPLETE 450 BELL COVER ASSEMBLY
17	39 337	ENS. COUTEAU 450	450 BLADE ASSEMBLY
18	105 268	MOYEU D'ENTRAINEMENT	DRIVING HUB
19	39 357	ENS. ½ POIGNEE DROITE	RIGHT HANDLE ASSEMBLY
20	39 359	ENS. CAPUCHON-BOUTON-CACHE VIS	CAP KNOB-CAP SCREW ASSEMBLY
21	39 374	ENS. BOUTON VARIATEUR EQU-CACHE VIS	VARIA SWITCH EQUIP-CAP SCREW ASSEMBLY
22	39 361	ENS. BAGUE MAINTIEN ETANCH-CACHE VIS	SEAL RING-CAP SCREW ASSEMBLY
23	39 362	ENS. CAPUCHON LEVIER-CACHE VIS	CAP ARM-CAP SCREW ASSEMBLY
24	105 682	GRILLE	VENT COVER
25	105 672	BOITE FOUET	WHIP BOX
26	39 377	ENS. PIGNONS FW + BAGUE	GEARS ASSEMBLY FW+RING
27	39 378	ENS. ROULEMENT-CACHE-VIS BOITE FOUET	BEARING-CAP SCREW WHIP BOX ASSEMBLY
28	39 379	ENS. COQUE SUP. BOITE FOUETS ALUMINIUM	ALUMINIUM UPPER BODY ASSEMBLY
29	39 381	ENS. JOINT TORIQUE Ø 96,97x1,78-CACHE VIS	SEAL-CAP SCREW ASSEMBLY
30	39 382	ENS. ANNEAU "E"-CACHE VIS	"E" RING-CAP SCREW ASSEMBLY
31	39 383	ENS. BILLE Ø 5-CACHE VIS	BALL-CAP SCREW ASSEMBLY
32	39 384	ENS. RONDELLE D'USURE FW-CACHE VIS	WEARING RING-CAP SCREW ASSEMBLY
33	39 385	ENS. FLASQUE+VIS+CACHE-VIS BOITE COQUE ALU.	PLATE ASSEMB/SCREW/CAP SCREW/ALU BODY
34	39 386	ENS. JOINT TORIQUE 26x2 BOITE FOUET COQUE ALU.	SEAL WHIP BOX ALU. BODY ASSEMBLY
35	39 387	ENS. COQUE INF. ALUMINIUM	ALUMINIUM LOWER BODY ASSEMBLY
36	39 388	ENS. JOINT A LEVRE (14-24-6)-CACHE VIS	SEAL-CAP SCREW ASSEMBLY
37	39 389	ENS. VIS 3x19-CACHE VIS BOITE FOUET	3X19 SCREW – CAP SCREW ASSEMBLY
38	39 390	ENS. CACHE VIS BOITE FOUET	LOWER BODY-CAP SCREW ASSEMBLY
39	105 680	FOUET	WHIP
40	105 681	EJECTEUR FOUET	WHIP EJECTOR
41	39 363	ENS. BOUTON DE SECURITE-RESSORT-CACHE VIS	SECU. KNOB-SPRING-CAP.SCREW ASSEMBLY
42	39 375	ENS. LEVIER DE COMMANDE-CACHE VIS	COMMAND ARM-CAP SCREW ASSEMBLY
43	39 376	ENS. RESSORT DE RAPPEL-CACHE VIS	ADJUSTING SPRING-CAP SCREW ASSEMBLY
44	39 366	ENS. BOUTON VERROUILLAGE-RESSORT	LOCK KNOB ASSEMBLY-RING
45	203 057	VIS M4x105	SCREW
46	39 367	ENS. ½ POIGNEE GAUCHE+(CAPOT)+VIS+CACHE	L HANDLE(COVER)+SCREW+CAP ASSEMBLY
47	39 368	ENS. VIS 3x19-CACHE VIS POIGNEE	SCREW-CAP SCREW ASSEMBLY
48	102 958	VENTILATEUR AIMANT	VENTILATOR
49	102 728	COURONNE DE CANALISATION	AIR DUCT
50	102 741	SUPPORT SELF	SELF REST
51	503 058	CONDUIT VENTILATEUR	VENTILATOR PIPE
52	29 507	ENS. ROULEMENT MOTEUR	MOTOR BEARING ASSEMBLY
53	89 036	VIROLE HAUTE MP450 Ultra COMBI	MP450 Ultra COMBI HIGH FERRULE
54	102 901	CARTER ALUMINIUM	ALUMINIUM CASING
55	102 816	MOYEU D'ENTRAINEMENT Combi	DRIVING HUB

<i>Index</i>	<i>Désignation</i>	<i>Description</i>
A	PLATINE	CIRCUIT BOARD
B	CABLE D'ALIMENTATION	POWER CORD
C	ENSEMBLE INDUIT	INDUCED CIRCUIT
D	CHARBON	BRUSH
E	ENSEMBLE FILS ELECTRIQUES	ELECTRICAL WIRING
F*	ENSEMBLE BLOC MOTEUR COMPLET	BLOCK MOTEUR ASSEMBLY
M	MOTEUR	MOTOR

Machine	Voltage	A	B	C	D	E	F*	M
34 670	230/50/1	39 406	39 399	29 508	507 301	39 408	39 410	89 041
34 671 UK	240/50/1	39 406	39 400	29 508	507 301	39 408	39 411	89 041
34 672 Aust	240/50/1	39 406	39 401	29 508	507 301	39 408	39 412	89 041
34 674	220/60/1	39 406	39 399	29 508	507 301	39 408	39 414	89 041
34 675	120/60/1	39 407	39 403	29 509	507 302	39 409	39 415	89 045
34 676 Suisse	230/50/1	39 406	39 404	29 508	507 301	39 408	39 416	89 041
34 677 Suède	230/50/1	39 406	39 405	29 508	507 301	39 408	39 417	89 041
34 679 Japon	120/60/1	39 407	89 522	29 509	507 302	39 409	39 525	89 045



Index	Pièce / Part	Désignation	Description
1	105 672	BOITE FOUET	WHIP BOX
2	105 680	FOUET	WHIP
3	39 377	ENS. PIGNONS FW + BAGUE	GEARS ASSEMBLY FW+RING
4	39 378	ENS. ROULEMENT-CACHE-VIS BOITE FOUET	BEARING-CAP SCREW WHIP BOX ASSEMBLY
5	39 379	ENS. COQUE SUP. BOITE FOUETS ALUMINIUM	ALUMINIUM UPPER BODY ASSEMBLY
6	39 381	ENS. JOINT TORIQUE Ø 96,97x1,78-CACHE VIS	SEAL-CAP SCREW ASSEMBLY
7	39 382	ENS. ANNEAU "E"-CACHE VIS	"E" RING-CAP SCREW ASSEMBLY
8	39 383	ENS. BILLE Ø 5-CACHE VIS	BALL-CAP SCREW ASSEMBLY
9	39 384	ENS. RONDELLE D'USURE FW-CACHE VIS	WEARING RING-CAP SCREW ASSEMBLY
10	39 385	ENS. FLASQUE+VIS+CACHE-VIS BOITE COQUE ALU.	PLATE ASSEMB/CAP SCREW/CAP SCREW/ALU BODY
11	39 386	ENS. JOINT TORIQUE 26x2 BOITE FOUET COQUE ALU.	SEAL WHIP BOX ALU. BODY ASSEMBLY
12	39 387	ENS. COQUE INF. ALUMINIUM	ALUMINIUM LOWER BODY ASSEMBLY
13	39 388	ENS. JOINT A LEVRE (14-24-6)-CACHE VIS	SEAL-CAP SCREW ASSEMBLY
14	39 389	ENS. VIS 3x19-CACHE VIS BOITE FOUET	3X19 SCREW - CAP SCREW ASSEMBLY
15	105 681	EJECTEUR FOUET	WHIP EJECTOR
16	29 545	ENS. ½ POIGNONS (G+D)+VIS+CACHE	½ HANDLES (L+R)+SCREW+CAP ASSEMBLY
17	39 359	ENS. CAPUCHON-BOUTON-CACHE VIS	CAP KNOB-CAP SCREW ASSEMBLY
18	39 374	ENS. BOUTON VARIATEUR EQU-CACHE VIS	VARIASWITCH EQUIP-CAP SCREW ASSEMBLY
19	39 361	ENS. BAGUE MAINTIEN ETANCH-CACHE VIS	SEAL RING-CAP SCREW ASSEMBLY
20	39 362	ENS. CAPUCHON LEVIER CACHE VIS	CAP ARM-CAP SCREW ASSEMBLY
21	39 508	GRILLE (x2)	VENT COVER (x2)
22	102 897	SUPPORT MURAL	RACK
23	39 363	ENS. BOUTON DE SECURITE-RESSORT-CACHE VIS	SECU. KNOB-SPRING-CAP.SCREW ASSEMBLY
24	39 375	ENS. LEVIER DE COMMANDE-CACHE VIS	COMMAND ARM-CAP SCREW ASSEMBLY
25	39 376	ENS. RESSORT DE RAPPEL-CACHE VIS	ADJUSTING SPRING-CAP SCREW ASSEMBLY
26	39 366	ENS. BOUTON VERROUILLAGE-RESSORT	LOCK KNOB ASSEMBLY-RING
27	203 057	VIS M4x105	SCREW
28	39 368	ENS. VIS 3x19-CACHE VIS POIGNEE	SCREW-CAP SCREW ASSEMBLY
29	102 958	VENTILATEUR AIMANT	VENTILATOR
30	102 728	COURONNE DE CANALISATION	AIR DUCT
31	102 741	SUPPORT SELF	SELF REST
32	503 058	CONDUIT VENTILATEUR	VENTILATOR PIPE
33	29 507	ENS. ROULEMENT MOTEUR	MOTOR BEARING ASSEMBLY
34	89 039	VIROLE HAUTE MP 450 Ultra F.W.	MP 450 Ultra F.W. HIGH FERRULE
35	102 901	CARTER ALUMINIUM	ALUMINIUM CASING
36	102 816	MOYEU D'ENTRAINEMENT Combi	DRIVING HUB

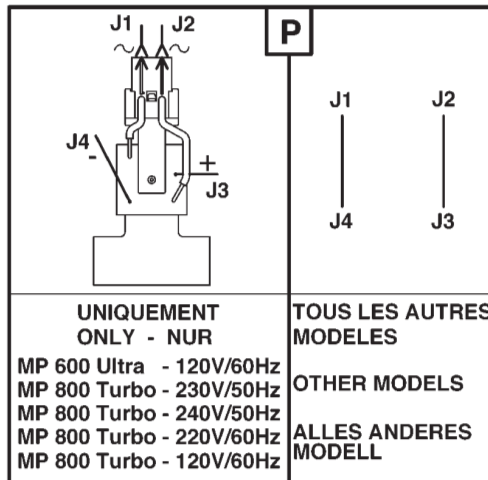
Index	Désignation	Description
A	PLATINE	CIRCUIT BOARD
B	CABLE D'ALIMENTATION	POWER CORD
C	ENSEMBLE INDUIT	INDUCED CIRCUIT
D	CHARBON	BRUSH
E	ENSEMBLE FILS ELECTRIQUES	ELECTRICAL WIRING
F*	ENSEMBLE BLOC MOTEUR COMPLET	BLOCK MOTOR ASSEMBLY
M	MOTEUR	MOTOR

Machine	Voltage	A	B	C	D	E	F*	M
34 680	230/50/1	39 406	39 399	29 508	39 468	39 408	39 432	89 041
34 681 UK	240/50/1	39 406	39 400	29 508	39 468	39 408	39 433	89 041
34 682 Aust	240/50/1	39 406	39 401	29 508	39 468	39 408	39 434	89 041
34 684	220/60/1	39 406	39 399	29 508	39 468	39 408	39 435	89 041
34 685	120/60/1	39 407	39 403	29 509	39 469	39 409	39 436	89 045
34 686 Suisse	230/50/1	39 406	39 404	29 508	39 468	39 408	39 437	89 041
34 687 Suède	230/50/1	39 406	39 405	29 508	39 468	39 408	39 438	89 041
34 689 Japon	120/60/1	39 407	89 522	29 509	39 469	39 409	39 527	89 045

SCHEMA ELECTRIQUE

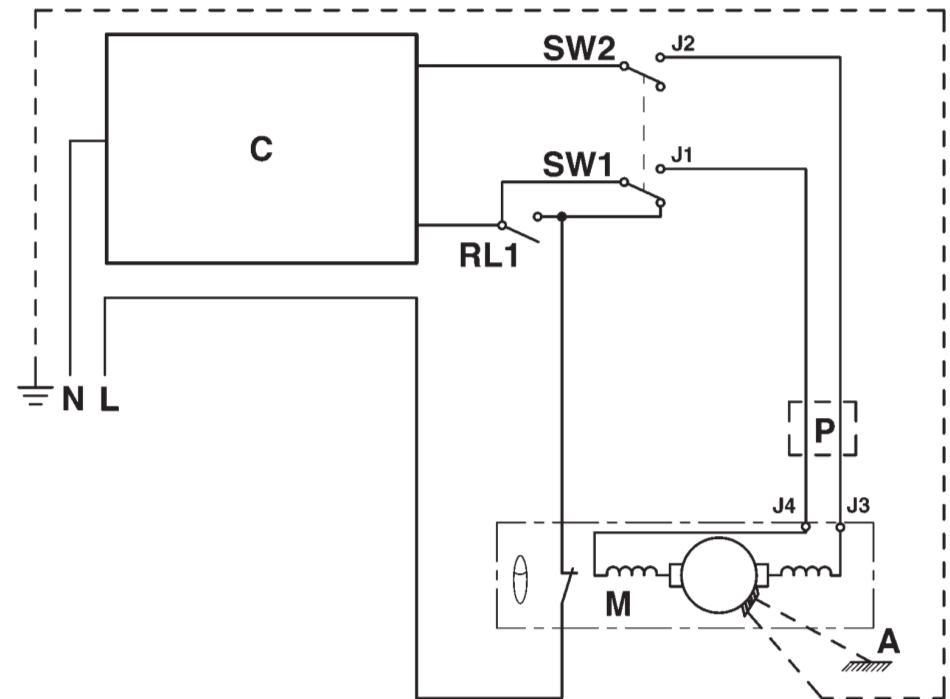
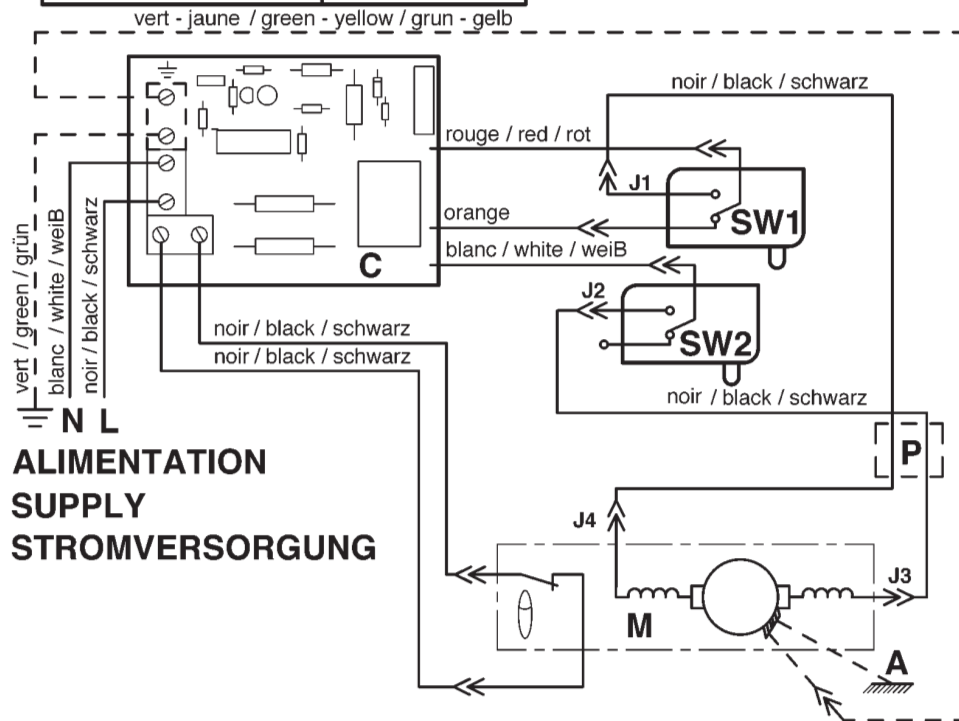
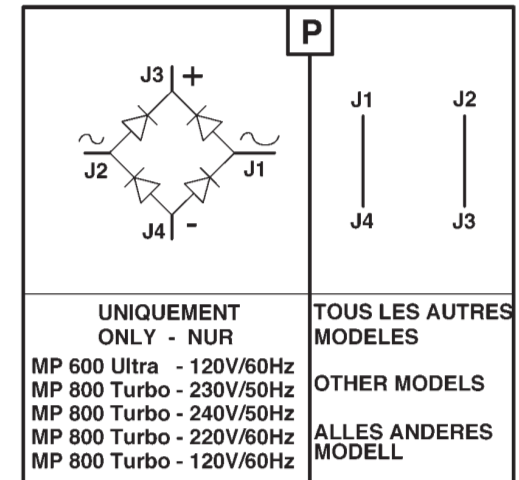
ELECTRIC DIAGRAM

ELEKTRISCHES SCHALTBILD



	Français	English	Deutsch
A	Carter aluminium	Aluminium housing	Aluminiumhaube
C	Unité de contrôle	Control unit	Kontrolleinheit
M	Moteur	Motor	Motor
P	Pont de diodes	Rectifier bridge	Brücke diode
SW1	Interrupteur marche/arrêt	On/off switch	Betriebsschalter/Stopschalter
SW2	Interrupteur marche/arrêt	On/off switch	Betriebsschalter/Stopschalter
θ	Protecteur thermique	Thermal protector	Thermoschutz

----- { **Seulement sur modèles 120V/60Hz**
 Only on 120V/60Hz version
 Gibt es nur für den 120V/60Hz



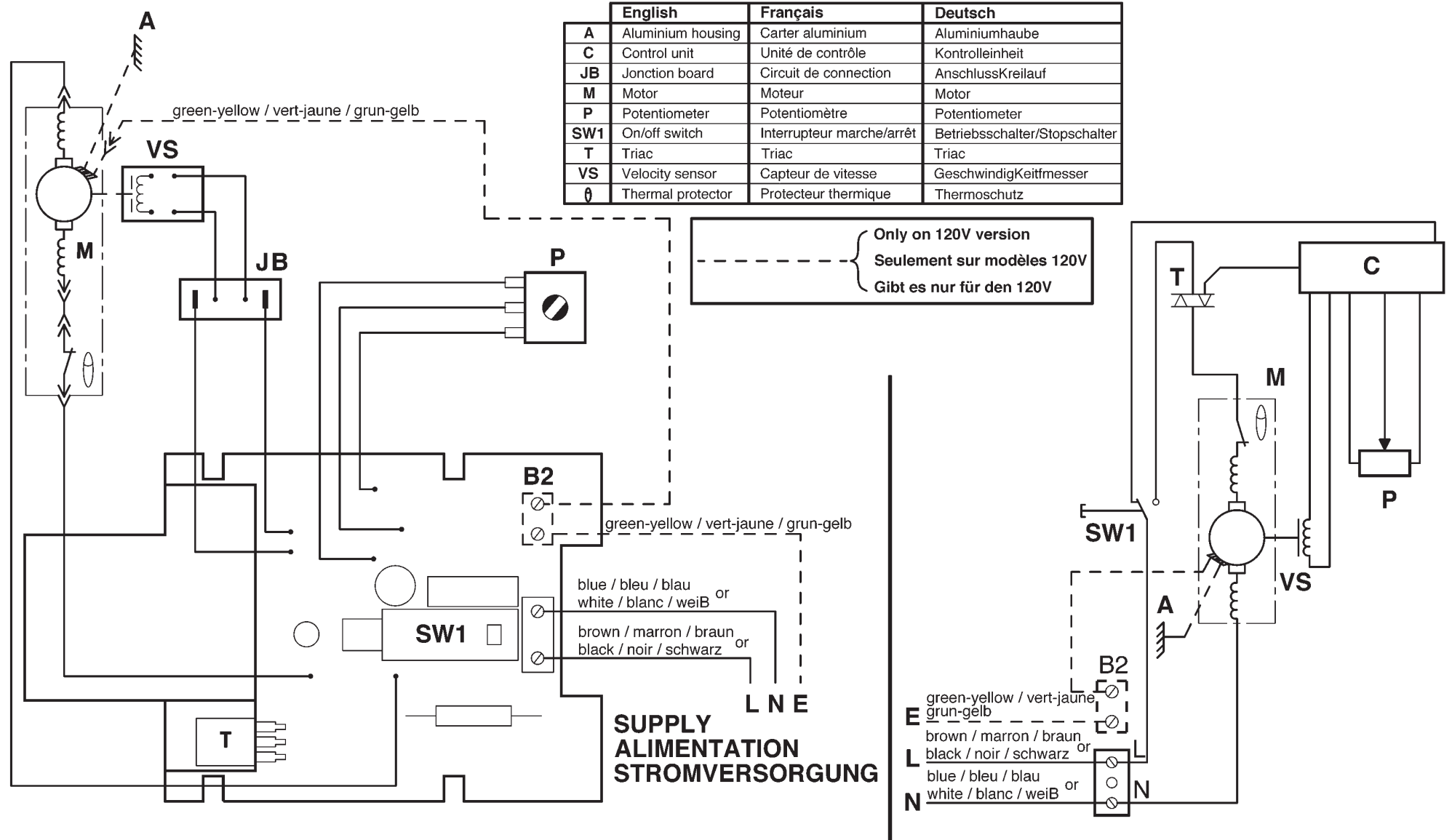
MP 350 Ultra Combi - MP 450 Ultra Combi - MP 450 Ultra FW - MP 350 Ultra V.V. - MP Ultra 450 V.V.

120V/60Hz - 220V/60Hz - 230V/50Hz - 240V/50Hz 1~

ELECTRIC DIAGRAM

SCHEMA ELECTRIQUE

ELEKTRISCHES SCHALTBILD



	English	Français	Deutsch
A	Aluminium housing	Carter aluminium	Aluminiumhaube
C	Control unit	Unité de contrôle	Kontrolleinheit
JB	Jonction board	Circuit de connection	AnschlussKreilauf
M	Motor	Moteur	Motor
P	Potentiometer	Potentiomètre	Potentiometer
SW1	On/off switch	Interrupteur marche/arrêt	Betriebsschalter/Stopschalter
T	Triac	Triac	Triac
VS	Velocity sensor	Capteur de vitesse	Geschwindigkeitmessger
θ	Thermal protector	Protecteur thermique	Thermoschutz

Only on 120V version
 Seulement sur modèles 120V
 Gibt es nur für den 120V

E green-yellow / vert-jaune / grun-gelb
 L brown / marron / braun
 N blue / bleu / blau
 white / blanc / weiB or
 black / noir / schwarz or



robot coupe®

FABRIQUÉ EN FRANCE PAR ROBOT-COUBE S.N.C.

**Administration Commerciale France &
Service Après-Vente**

Tél. : 03 85 69 50 00 - Fax : 03 85 69 50 07
12, avenue du Maréchal Leclerc - BP 134
71305 Montceau-en-Bourgogne Cedex
email : france@robot-coupe.fr

**Agence de Service Après-Vente
pour la Région Parisienne**

Tél. : 01 43 98 88 15 - Fax : 01 43 74 36 26
48, rue des Vignerons - BP 157
94305 Vincennes Cedex

MADE IN FRANCE BY ROBOT-COUBE S.N.C.

Export Department

Tel. : + 33 1 43 98 88 33 - Fax : + 33 1 43 74 36 26
48, rue des Vignerons - BP 157
94305 Vincennes Cedex - France
<http://www.robot-coupe.com> - email : international@robot-coupe.com

**We reserve the right to alter at any time without notice the technical specifications of this appliance.
None of the information contained in this document is of a contractual nature. Modifications may be made at any time.
© All rights reserved for all countries by: ROBOT-COUBE s.n.c.**