



DF66 - Lincat Silverlink 600 Electric Counter-top Twin Tank Fryer - 2 Baskets - W 600 mm - 2 x 3.0 kW

The Silverlink 600 Electric Twin Tank Counter Top Fryer has two independently operated fryer tanks for greater versatility, combined with a power that can deliver 24kg of chips per hour.

- ✓ Two independently operated fryer tanks for greater versatility, delivering 24kg of chips per hour
- ✓ Front mounted controls for safety
- ✓ Hinged elements to give easy access during cleaning
- ✓ Cool zone collects cooking debris - gives cleaner cooking results and saves money by prolonging the life of the oil
- ✓ Thermostatically controlled to give accurate cooking temperatures throughout cooking. Fail-safe top temperature cut out ensures safe operation.
- ✓ Fully moulded 304 stainless steel tank and heavy duty nickel plated baskets for the most demanding of operations
- ✓ Front drain off tap for easy removal of cooking oil
- ✓ Supplied with two cables and two plugs for easy installation

Specifications

Summary		Power and Performance	
Brand	Lincat	Total Power kW	2 x 3.0
Range	Silverlink 600	Temperature Range °C	130-190
Power Type	Electric	IP Rating	IP33
Unit Type	Counter-top	Temperature Control	Mechanical
Available in UK Only	No		
UK Warranty	2 Years Parts and Labour Warranty		
Export Warranty	Contact your local dealer		
GTIN	5056105100034		

Key Specifications		Capacity	
Number of Baskets	2	Product Output per Hour	16kg chips-12mm [frozen], 24kg chips-12mm[chilled]
Number of Tanks	2	Capacity Litres	2 x 7.5
Gravity Filtration	No		
Pumped Filtration	No		
Drain Location	Front-mounted		

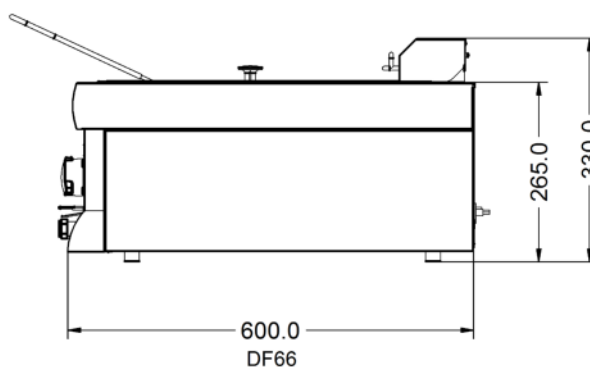
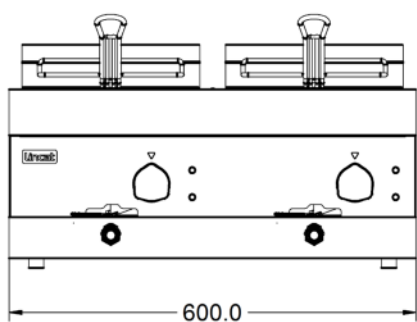
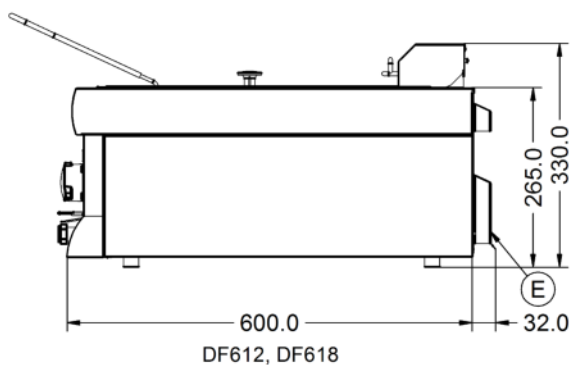
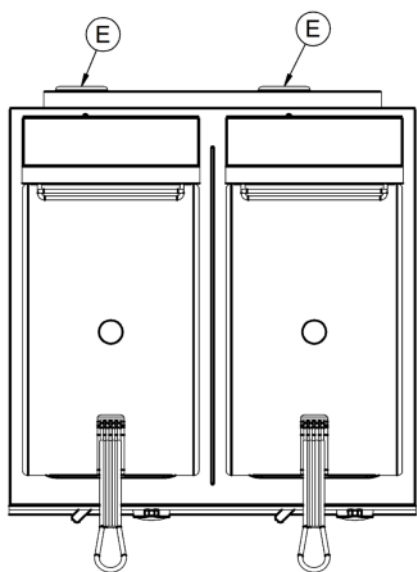
Weights and Dimensions		Supply Connections	
Unit Height (External) mm	330	Requires Installation	No
Unit Width (External) mm	600	Requires Electrical Supply	Yes
Unit Depth (External) mm	600	UK 3 Pin Plug	Yes
Net Weight Kg	22	Requires Hardwiring	No
		Electrical Supply Rating Watts	2 x 3,000
		Single Phase Amps	2 x 13.0
		Single Phase Voltage	230
		Number of Supply Cables	2

Shipping	
Packed Weight Kg	24.2
Packed Height cm	49.5
Packed Width cm	70
Packed Depth cm	70

Available Accessories

BA96	BASKET SPUN DFSMALL
CC6	Lincat Silverlink 600 Free-standing Ambient Open-Top Pedestal with Doors - W 600 mm
CN6	Lincat Silverlink 600 Free-standing Ambient Open-Top Pedestal without Doors - W 600 mm
HC6	Lincat Silverlink 600 Free-standing Heated Open-Top Pedestal with Doors - W 600 mm - 0.5 kW
HCL6	Lincat Silverlink 600 Free-standing Heated Pedestal with Legs and Doors - W 600 mm - 0.5 kW
SLS6	Lincat Silverlink 600 Free-standing Floor Stand - for units W 600 mm

Technical Picture





Lincat Limited

Whisby Road,
Lincoln, LN6 3QZ,
United Kingdom

Company No: 2175448

A member company of



Customer Care

Tel: +44 1522 875500
Email: care@lincat.co.uk

Export Customers

Tel: +44 1522 875536
Email: export@lincat.co.uk

Opening Hours

Monday – Friday:
8.30am – 5pm