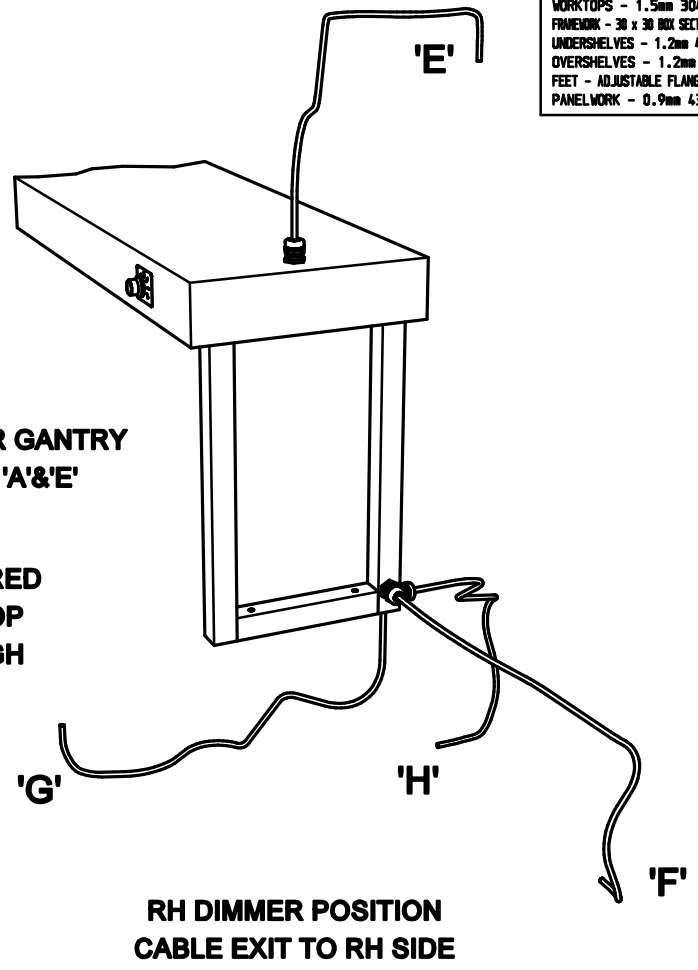
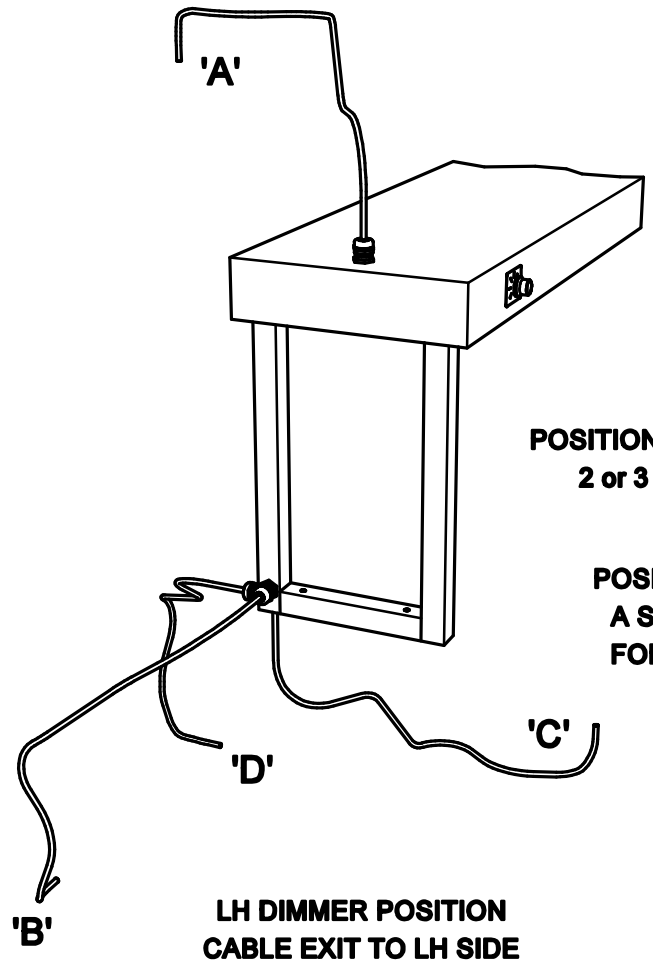


MATERIAL SPECIFICATIONS

WORKTOPS - 1.5mm 304 GRADE ST ST
 FRAMEWORK - 30 x 30 BOX SECTION 430 GRADE ST ST
 UNDERSHELVES - 1.2mm 430 GRADE ST ST
 OVERSHELVES - 1.2mm 430 GRADE ST ST
 FEET - ADJUSTABLE FLANGED (CAST ALUMINIUM)
 PANELWORK - 0.9mm 430 GRADE ST ST



**POSITIONS SHOWN ON SINGLE TIER GANTRY
 2 or 3 TIER GANTRY'S POSITIONS 'A' & 'E'
 WILL BE IN TOP SHADE**

**POSITIONS 'C' & 'G' WILL REQUIRE
 A SUITABLE HOLE IN WORKTOP
 FOR CABLE TO PASS THROUGH**

**LH DIMMER POSITION
 CABLE EXIT TO LH SIDE**

**RH DIMMER POSITION
 CABLE EXIT TO RH SIDE**

PLEASE CONFIRM THERE IS SUITABLE ACCESS TO SITE FOR DELIVERY OF THIS ITEM

APPROVED FOR MANUFACTURE Signature..... Date..... Print.....

DO NOT SCALE DRAWING
 CUST Ref: REV No REVISION DATE

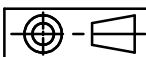
TOLERANCE TABLE	
1	± 2mm
1.0	± 0.5mm
1.00	± 0.2mm
UNLESS STATED OTHERWISE	

CED
 CARBON EQUIPMENT DESIGN

CEC FABRICATIONS LTD
 A1-A4 FALCON COURT
 PETRE ROAD
 CLAYTON-LE-MOORS
 HYNDURN
 LANCASHIRE BB5 5JD

This drawing and information herein is confidential to CED Fabrications Ltd. It is issued in confidence that it will not be disclosed to any third party in part or in whole without permission from CED FABRICATIONS Ltd.

© 1999 CED FABRICATIONS LTD



TITLE: GANTRY CABLE EXIT AND DIMMER POSITION OPTIONS REV No: 0
 DRAWN BY: AS CUST O/No: DRG No:
 DATE: 17/12/2015 18:06:37 SCALE: 1:10 (A4)