

C9D-B

900mm Six Burner Gas Cooktop Bench Model



C9D-B

- Countertop Bench Model
- 900mm wide
- 6 open burners
- 5kW open burner rating
- Flame failure standard on open burners
- Cast iron burners and vitreous enamel potstands
- Adjustable bench feet
- Stainless steel finish

Also Available



C9A-B



C9B-B



C9C-B

OVERALL CONSTRUCTION

- Cast iron open burner heads with vitreous enamelled cast iron caps
- Vitreous enamelled potstands
- Vitreous enamelled control panel
- Stainless steel front, sides and splashback
- Stainless steel spill tray
- 63mm dia. stainless steel adjustable bench feet

CONTROLS

- Large easy use control knobs
- Variable high to low controls to open burners
- Flame failure standard on open burners

CLEANING AND SERVICING

- Easy clean stainless steel exterior
- Vitreous enamelled potstands and burner caps
- Lift off open burner caps and removable burners
- Removable spill trays
- Access to all parts from front of unit

Matching Products



CR9D



CR6C



CF2



C9C



C6D



C450



CP4



CS9 / C900-S



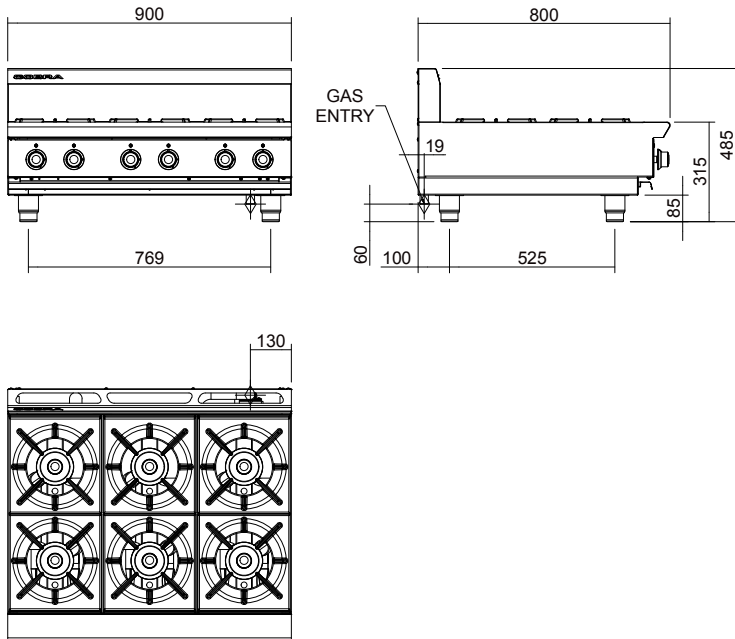
CT6



C300

C9D-B

900mm Six Burner Gas Cooktop Bench Model



C9D-B

SPECIFICATIONS

Burners
 Open Burners;
 Natural Gas
 5.0kW each
 Propane gas
 4.6kW each

Gas power
 Natural gas
 30.0kW (nett), 113,680 Btu/hr (gross)
 Propane gas
 30.0kW (nett), 102,360 Btu/hr (gross)

Gas flow rate
 Natural gas 3.18m³/hr
 Propane gas 2.16kg/hr

Gas connection
 R 3/4 (BSP) male
 130mm from RH side, 20mm from rear, and 60mm from bench

Dimensions
 Width 900mm
 Depth 800mm
 Height 315mm
 Incl. splashback 485mm
 Nett weight
 61.5kg

Packing data
 0.72m³, 98kg
 Width 1010mm
 Depth 955mm
 Height 750mm

Gas types
 Available in Natural gas and Propane gas,
 please specify when ordering
 Other gas types on request

blue-seal.co.uk

United Kingdom
blue-seal.co.uk

Blue Seal Limited
 Unit 67
 Gravelly Business Park
 Gravelly
 Birmingham B24 8TQ
 England
 Telephone 0121-327 5575
 Facsimile 0121-327 9711
sales@blue-seal.co.uk

Australia
moffat.com.au

Moffat Pty Limited
 740 Springvale Road
 Mulgrave, Victoria 3170
 Australia
 Telephone +613-9518 3888
 Facsimile +613-9518 3833
vsales@moffat.com.au

New Zealand
moffat.co.nz

Moffat Limited
 Rolleston
 45 Illinois Drive
 Izone Business Hub
 Rolleston 7675
 Telephone +64 3-983 6600
 Facsimile +64 3-983 6660
sales@moffat.co.nz



Designed and manufactured by



ISO9001
 All Cobra products are designed and manufactured by Moffat using the internationally recognised ISO9001 quality management system, covering design, manufacture and final inspection, ensuring consistent high quality at all times.

In line with policy to continually develop and improve its products, Moffat Limited reserves the right to change specifications and design without notice.



© Copyright Moffat Ltd
 UK.C.01.19 / 1622

an Ali Group Company



The Spirit of Excellence