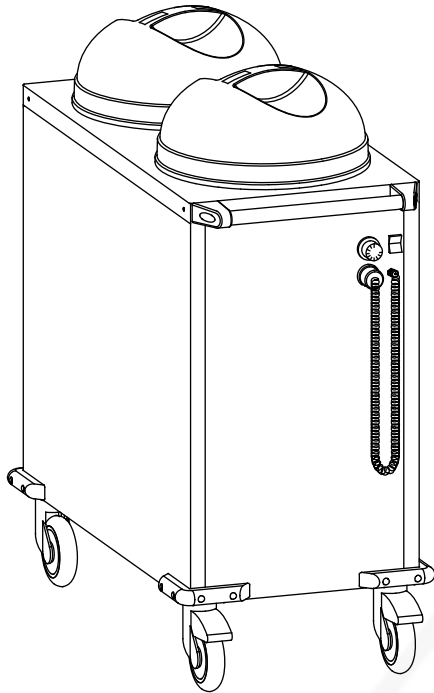


# CONSTANT LEVEL PLATE DISPENSER TROLLEYS



## GENERAL CHARACTERISTICS

Made of food quality stainless steel with a chromium content greater than 17.5%.

- Top and cladding of 1 mm stainless steel plate.
- Interior lining of 0,8 mm with internal angles rounded for easy cleaning.
- Wheels with polyamide cover, with ball bearings including 2 brakes.
- Handle of stainless steel tube Ø25 mm, polyamide end-pieces.
- Moulded polyethylene bumpers.
- For plates Ø 180 to 290 mm.
- Plate made of stainless steel with 3 guide rollers.
- Adjustable plate level by adding or removing springs.

WHPL0022

able constant level dispensers.  
m allowable load: 75 kg per pile.

### NEUTRAL TROLLEYS:

- Optional transparent polycarbonate lid (code: 230 079)

### HEATING TROLLEYS:

- Powered up with illuminated On/Off switch.
- Heating started and adjusted by mechanical thermostat (from 0° to 90°C).
- Spiral cable with moulded plug (3G 1.5 mm<sup>2</sup>), length fully stretched 1.5 m.
- Heated by shielded stainless steel resistances.
- Stackable, transparent polycarbonate lid.

### Electrical specifications :

(avec thermostat réglé à 90°C)

#### 1 pile trolley

Average power rating : 730W

Electric power consumption : 0,44KWh

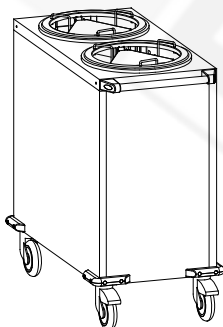
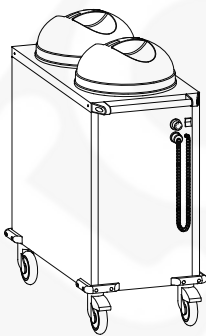
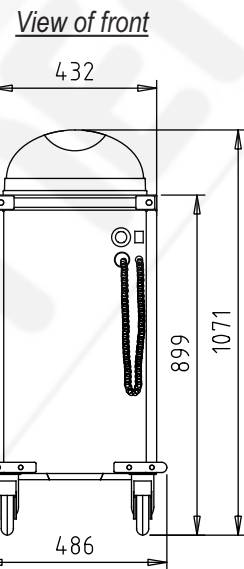
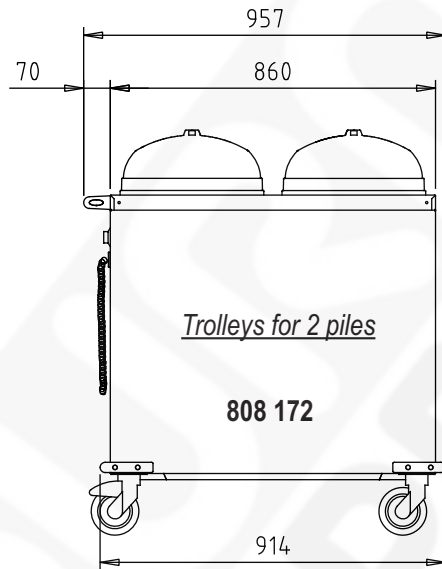
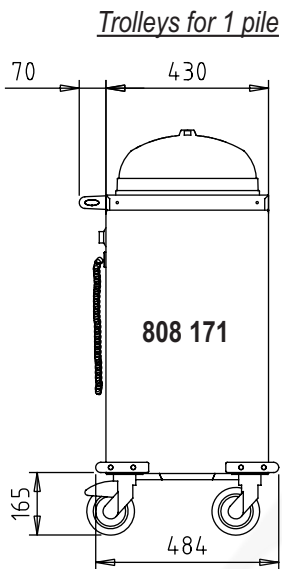
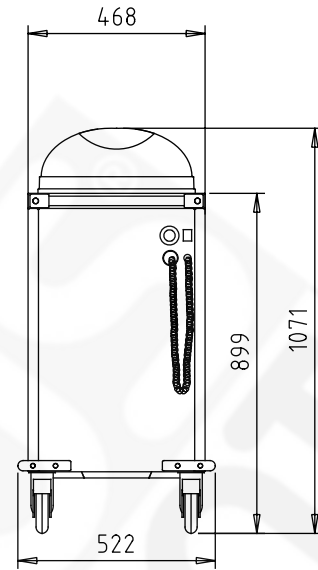
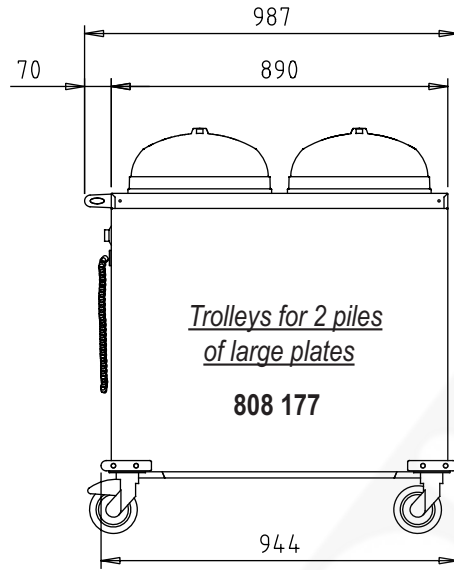
#### 2 pile trolley

Average power rating : 1525W

Electric power consumption : 1,02KWh

- Nominal voltage : **230V 1N ~**
- Frequency : **50/60 Hz**
- Appliance classification : **IP 44**
- Standards : **NF EN 60335-1**  
: **NF EN 60335-2-49**

## CONSTANT LEVEL PLATE DISPENSER TROLLEYS



Description	Dimensions (l x w x H) mm	Reference
Heated trolley for on pile of plates (with cover)	485 x 485 x 900	808 171
Heated trolley for two piles of plates (with cover)	960 x 485 x 900	808 172
Heated trolley for two piles of large plates (with cover)	990 x 525 x 900	808 177

Description	Dimensions (l x w x H) mm	Reference
Neutral trolley for on pile of plates (without cover)	485 x 485 x 900	808 181
Neutral trolley for two piles of plates (without cover)	960 x 485 x 900	808 182