

Mobile handwash 10 litres

BURCO



- Hot running water when and where you need it
- Allows over 85 handwashes per fill
- Gives full compliance with HSE handwash regulations
- Foot operated infra-red system guarantees maximum hygiene
- Fine spray makes maximum efficiency of water
- Temperature limited to 42°C, for comfort and safety
- Large wheels make transport safe and easy
- Robust design and optional transport case
- CE marked
- Full commercial guarantee

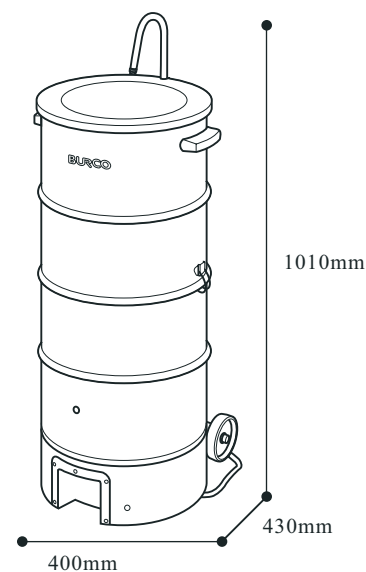
No plumbing, no problem. There are many occasions where you need hand washing facilities but have no plumbing. This mobile handwash unit provides the complete solution in one convenient compact unit. It provides hot running water and allows full compliance with HSE handwash regulations. It uses a foot operated infra-red system in the base to give hands free capability for maximum hygiene.

No plumbing is required just a 13 amp plug and a tap in walking distance. The water temperature is limited to below 42°C for maximum comfort and safety. The unit gives around a 7 second fine spray dispense to give you maximum efficient use of the water and allows over 85 cycles from a single fill. This unit is ideal for temporary venues (exhibitions or demonstration) and remote locations where plumbing is not practical (factories, building sites).

For guaranteed hygiene it keeps clean potable water and dirty waste water in totally separate containers. The dirty water container is easy to lift out and carry for emptying with a secure lid to prevent spillage in transport. When you need to move the whole unit, its large wheels make transport safe and easy.

All Burco boilers are fully safety and EMC tested, CE marked and

76100



Model	Capacity in litres	kW rating	Heating time in mins	Dispense capacity (handwashes)	Carry handles	Water level indicator	Height mm	Width mm	Depth mm
76100	10	2	11	85	•		1010	400	430

Burco believes in continuous design and development, therefore your product may slightly differ from the details above.