



## OA8914 - Lincat Opus 800 Free-standing Floor Stand with Legs - for units W 900 mm

This Opus 800 Series floor stand is designed to support and integrate with 900mm wide Opus counter top models (excluding salamanders and gas charrills) allowing products to suite perfectly together.

- ✔ Designed to suite with the Opus 800 series
- ✔ Suitable for Opus 800 counter top models\*
- ✔ Adjustable legs for perfect alignment even on uneven floors
- ✔ \*excluding salamanders and gas charrills please see relevant product for alternatives

### Specifications

#### Summary

<b>Brand</b>	Lincat
<b>Range</b>	Opus 800
<b>Unit Type</b>	Free-standing
<b>Available in UK Only</b>	No
<b>UK Warranty</b>	2 Years Parts and Labour Warranty
<b>Export Warranty</b>	Contact your local dealer
<b>GTIN</b>	5056105106333

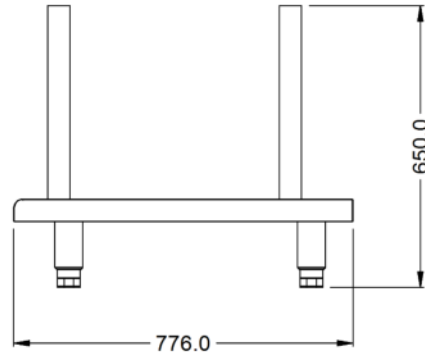
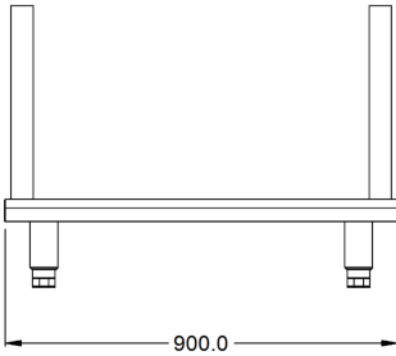
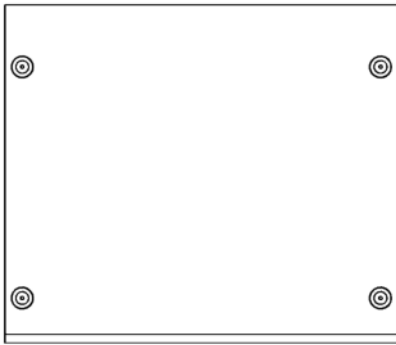
#### Weights and Dimensions

<b>Unit Height (External) mm</b>	650
<b>Unit Width (External) mm</b>	900
<b>Unit Depth (External) mm</b>	776
<b>Net Weight Kg</b>	21

#### Shipping

<b>Packed Weight Kg</b>	28
<b>Packed Height cm</b>	8
<b>Packed Width cm</b>	95
<b>Packed Depth cm</b>	83

### Technical Picture



**Lincat Limited**

Whisby Road,  
Lincoln, LN6 3QZ,  
United Kingdom

**Company No:** 2175448

A member company of



**Customer Care**

**Tel:** +44 1522 875500  
**Email:** care@lincat.co.uk

**Export Customers**

**Tel:** +44 1522 503250  
**Email:** export@lincat.co.uk

**Opening Hours**

**Monday – Friday:**  
8.30am – 5pm