



OE8016 - Lincat Opus 800 Electric Free-standing Oven Range - W 900 mm - 21.6 kW

The Opus 800 Electric range 6 plate is designed to deliver fast responsive heat via its Powerful heavy-duty cast iron round hot plates.

- ✔ Powerful heavy-duty cast iron 2.6kW round hot plates deliver fast responsive heat
- ✔ Fully pressed sealed hob for easy cleaning
- ✔ Large 6 x GN1/1 capacity oven enabling six different foods to be cooked simultaneously
- ✔ Electric Oven Ranges

Specifications

Summary

Brand	Lincat
Range	Opus 800
Power Type	Electric
Unit Type	Free-standing
Available in UK Only	No
UK Warranty	2 Years Parts and Labour Warranty
Export Warranty	Contact your local dealer
GTIN	5056105102410

Power and Performance

Total Power kW	21.6
Temperature Range °C	130-265
IP Rating	IP24
Cooking Area (Width x Depth) mm	6 x 214 dia.
Temperature Control	Mechanical
Rating per Hob kW	2.6
Oven Rating kW	6.0

Key Specifications

Number of Shelves included	2
Number of Shelf Positions	5
Number of Hobs	6
Shape of Hob	Round

Capacity

Gastronorm Capacity	6 x GN1/1
----------------------------	-----------

Weights and Dimensions

Unit Height (External) mm	925
Unit Width (External) mm	900
Unit Depth (External) mm	800
Height (Internal) mm	405
Width (Internal) mm	715
Depth (Internal) mm	512
Shelf Dimensions Width mm	710
Shelf Dimensions Depth mm	512
Hob Dimensions mm	235
Net Weight Kg	129.4

Supply Connections

Requires Installation	Yes
Requires Electrical Supply	Yes
UK 3 Pin Plug	No
Requires Hardwiring	Yes
Electrical Supply Rating Watts	21,600
Three Phase Amps	L1=31.3; L2=31.3; L3=31.3
Three Phase Voltage	400

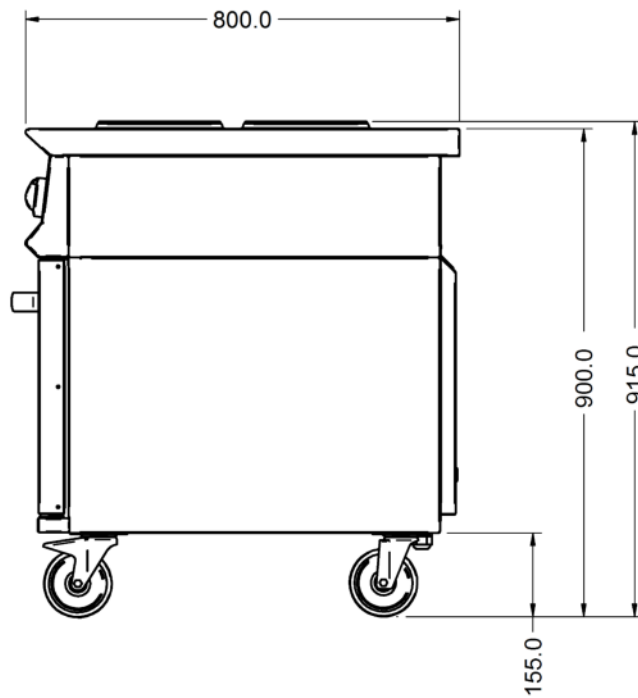
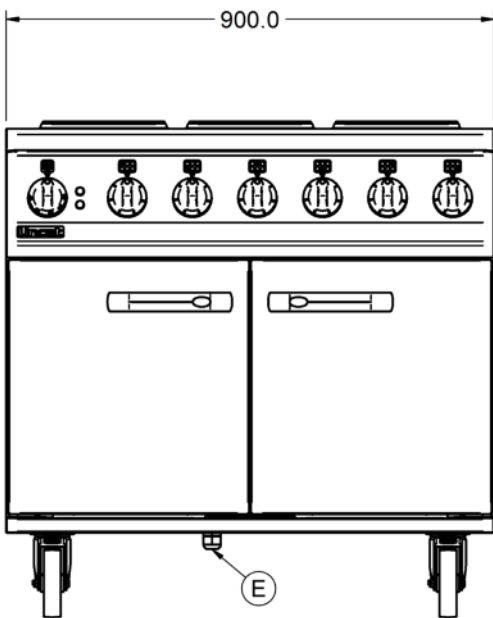
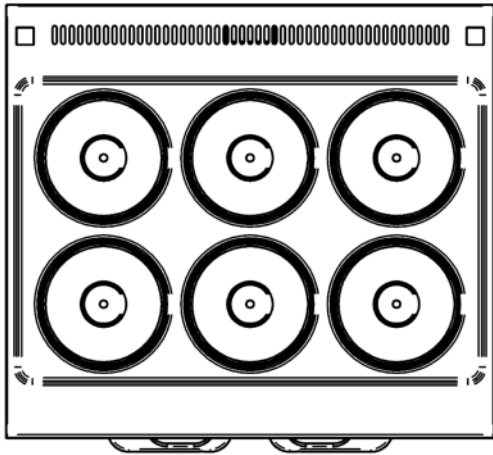
Shipping

Packed Weight Kg	147.4
Packed Height cm	102
Packed Width cm	100
Packed Depth cm	85

Available Accessories

LK06	OPUS 800 LEG KIT
OA8982	SPLASHBACK/SHELF - OE8008 & OE8016

Technical Picture



Lincat Limited

Whisby Road,
Lincoln, LN6 3QZ,
United Kingdom

Company No: 2175448

A member company of



Customer Care

Tel: +44 1522 875500
Email: care@lincat.co.uk

Export Customers

Tel: +44 1522 503250
Email: export@lincat.co.uk

Opening Hours

Monday – Friday:
8.30am – 5pm