



## BS4 - Lincat Silverlink 600 Electric Counter-top Bain Marie - Dry Heat - Round Pots - Base + 4 Pots - W 450 mm - 0.75 kW

The Silverlink 600 Electric Dry Heat Bain Marie safely holds sauces, soups, gravy and precooked foods for up to two hours at the ideal serving temperature

- ✓ Dry heat bain marie
- ✓ Plug and play for an easy installation
- ✓ Ideal for holding foods for up to 2 hours at serving temperature
- ✓ Perfect for safely holding sauces, gravy & pre-cooked foods
- ✓ 4 x 8pt / 4.5Lt round stainless steel pots included
- ✓ Adjustable temperature control

### Specifications

#### Summary

<b>Brand</b>	Lincat
<b>Range</b>	Silverlink 600
<b>Power Type</b>	Electric
<b>Unit Type</b>	Counter-top
<b>Available in UK Only</b>	No
<b>UK Warranty</b>	2 Years Parts and Labour Warranty
<b>Export Warranty</b>	Contact your local dealer
<b>GTIN</b>	5056105100300

#### Power and Performance

<b>Total Power kW</b>	0.75
<b>IP Rating</b>	IP33
<b>Temperature Control</b>	Mechanical

#### Key Specifications

<b>Pot Type</b>	Round pot
<b>Type of Heat</b>	Dry

#### Weights and Dimensions

<b>Unit Height (External) mm</b>	325
<b>Unit Width (External) mm</b>	450
<b>Unit Depth (External) mm</b>	600
<b>Net Weight Kg</b>	14.8

#### Supply Connections

<b>Requires Installation</b>	No
<b>Requires Electrical Supply</b>	Yes
<b>UK 3 Pin Plug</b>	Yes
<b>Requires Hardwiring</b>	No
<b>Electrical Supply Rating Watts</b>	750
<b>Single Phase Amps</b>	3.3
<b>Single Phase Voltage</b>	230

#### Shipping

<b>Packed Weight Kg</b>	18.2
<b>Packed Height cm</b>	49.5
<b>Packed Width cm</b>	70
<b>Packed Depth cm</b>	55

### Available Accessories

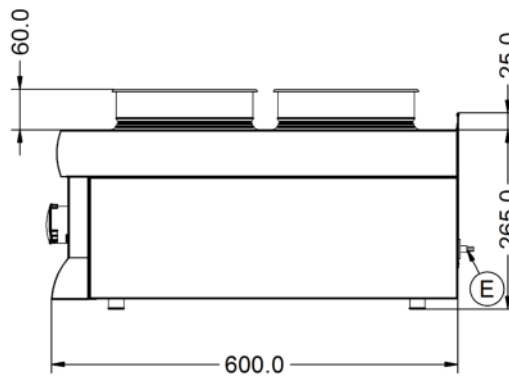
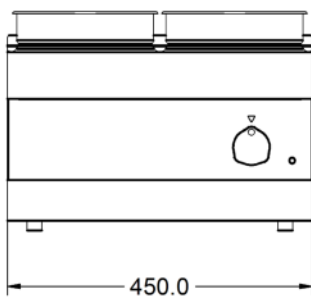
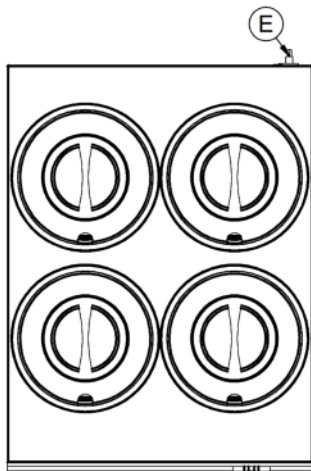
<b>CC4</b>	Lincat Silverlink 600 Free-standing Ambient Open-Top Pedestal with Doors - W 450 mm
<b>CN4</b>	Lincat Silverlink 600 Free-standing Ambient Open-Top Pedestal without Doors - W 450 mm
<b>HC4</b>	Lincat Silverlink 600 Free-standing Heated Open-Top Pedestal with Doors - W 450 mm - 0.5 kW
<b>HCL4</b>	Lincat Silverlink 600 Free-standing Heated Pedestal with Legs and Doors - W 450 mm - 0.5 kW

**Available Accessories**

SLS4

Lincat Silverlink 600 Free-standing Floor Stand - for units W 450 mm

**Technical Picture**





**Lincat Limited**

Whisby Road,  
Lincoln, LN6 3QZ,  
United Kingdom

**Company No:** 2175448

A member company of



**Customer Care**

**Tel:** +44 1522 875500  
**Email:** care@lincat.co.uk

**Export Customers**

**Tel:** +44 1522 503250  
**Email:** export@lincat.co.uk

**Opening Hours**

**Monday – Friday:**  
8.30am – 5pm