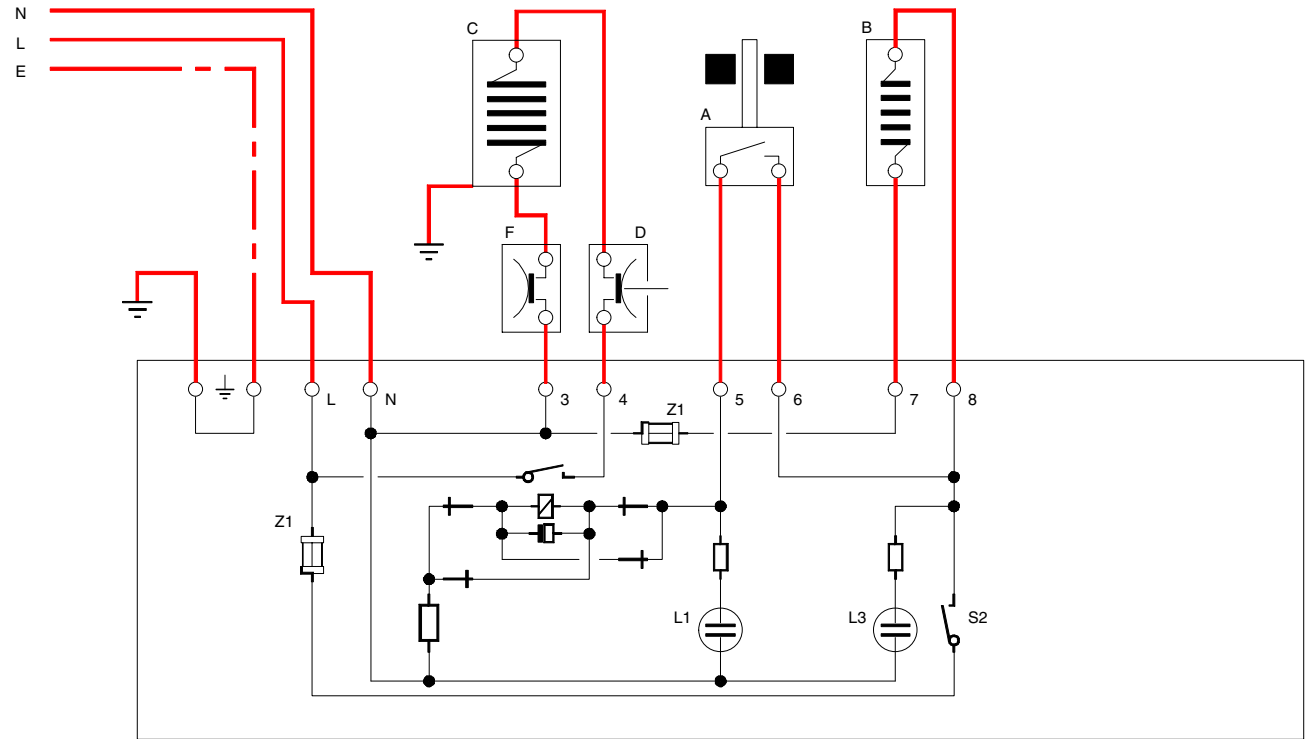


NOVO 1



700.406.452A

- A. Switch
- B. PTC element
- C. Flow boiler
- D. High temperatue safety
- E. Print
- F. Thermostat