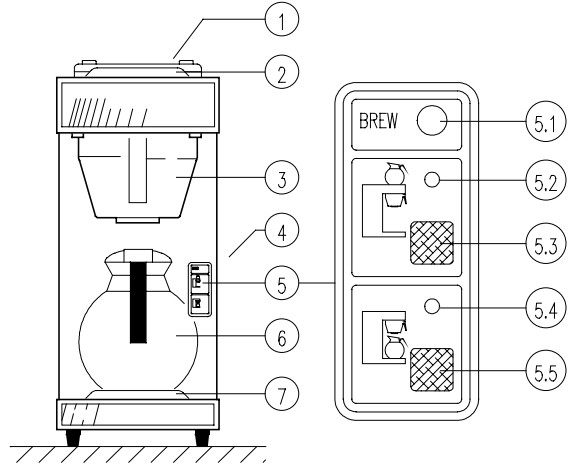


COFFEE BREWING MACHINE

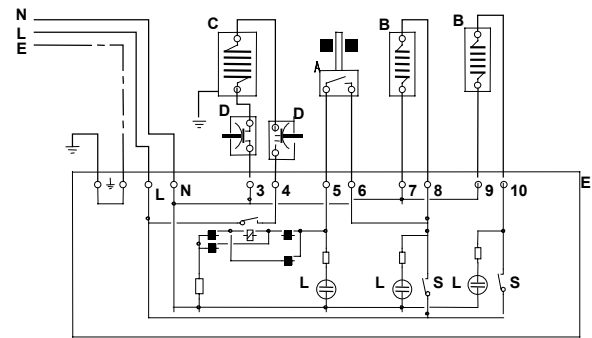
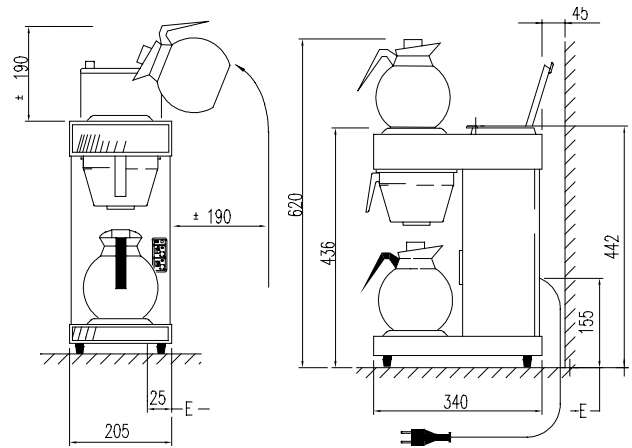
- 1. Water container
- 2. Upper heating plate
- 3. Filter pan
- 4. Connection cable
- 5. Switches
- 5.1 Indicator light "BREW"
- 5.2 Pilot light upper heating plate
- 5.3 Push button " " "
- 5.4 Pilot light lower heating plate
- 5.5 Start push button " " "
- 6. Decanter
- 7. Lower heating plate



TECHNICAL DATA

Coffee brewing machine with two heating plates, for 12 cups of 1.5 litre of coffee.

- Model : Novo 2000
- Voltage : 230 V 50/60 Hz
- Rating : 2275 W
- Protection : min. 10 A
- Capacity : 120 cups/hour



- A SWITCH
- B PTC ELEMENT
- C FLOW BOILER
- D HIGH TEMPERATURE SAFETY
- E PRINT

VHH®
COFFEE BREWING MACHINES
09-1994

700.403.160 A

INSTRUCTIONS FOR USE

Read the following instructions carefully for a good and safe use of the coffee brewing machine.

The main components and operating devices are indicated in figure 1. The dimensions of the coffee brewing machine are indicated in figure 2. Figure 3 is the electric diagram.

WARNING

The following instructions and warnings have to be observed for a safe use of the coffee brewing machine:

- Make sure that the cord from the mains does not touch the heating plates.
- Some components will get very hot when the coffee brewing machine is used.
- If the coffee brewing machine is not used for a longer period the electric power supply should be disconnected.
- A small quantity of water remains in the machine. Please, take this fact into account if the machine is used or stored in environments with temperature below 0°C.
- If all water has been removed from the machine the instructions that are applicable "before a new machine is brought into operation" have to be observed again.
- Stay with the machine during maintenance operations, such as descaling.
- When the machine has to be opened for repairs or maintenance, the electric power supply must be disconnected.
- All repairs should to be carried out by qualified electrical engineer.

BEFORE A NEW MACHINE IS BROUGHT INTO OPERATION

- Clean the decanter and the filterpan.
- Pour a decanter of cold water into the machine and wait 5 minutes before the machine is connected to the electric power supply.
- Insert the plug into a socket and let the water circulate once, see "OPERATION". As soon as the water has circulated and the indicator light (5.1) has switched off, the coffee brewing machine is ready for normal use.
- The heating plates may give a slightly unpleasant smell when the machine is first brought into operation. This smell will gradually disappear.

OPERATION

- Switch the coffee brewing machine on. To this end start button (5.5) has to be depressed. The pilot light (5.4) will illuminate.
- Insert a new filter into the filter pan and fill it with the desired quantity of ground coffee.
- Fix the filter pan correctly to the coffee brewing machine.
- Use the decanter to fill the water container with the desired quantity of water. The indicator light (5.1) will illuminate.
- Place the bung on the decanter and position the decanter under the filter immediately. The hot water will start to circulate.
- As soon as the indicator light (5.1) has been switched off the hot water will stop to circulate and it will take another minute for the coffee to pass the filter. Only then the coffee will be ready for consumption.
- If necessary the full decanter can now be placed on the upper heating plate (2). Press push button (5.3) in order to switch on the heating plate. The pilot light (5.2) will illuminate. It is possible now to make coffee with a second decanter.

MAINTENANCE

- The coffee brewing machine can be cleaned with a moist cloth. The decanter and the filter pan can be washed in the usual way.
- Scale will accumulate in the brewing machine as a result of its use. Consequently the machine has to be descaled regularly in order to make it work properly. A descaling agent may be used for this purpose. The instructions for the use of this descaling agent always have to be observed. Pour the descaling contents of a full decanter into the container and switch the machine on. As soon as $\frac{1}{3}$ of the solution has passed through the system, the machine has to be switched off for one minute. Switch the machine on again and finish the process.
- To flush the system of the descaling agent pour a decanter of cold water into the container and let it pass through the system. Repeat this procedure at least twice.

WARNING

- The machine must never be submerged in water.
- If a decalcifying agent is applied the use of protective goggles and gloves is advisable.
- Stay with the machine during the descaling process.
- Wash your hands at the end of the descaling process.

The machine must be descaled at least twice a year.

POWER SUPPLY

The machine has to be earthed!

The machine has to be protected by a fuse of at least 10 A (230V~) - 13 A (240V~). Moreover it has been equipped with a rim-earth plug. This plug has to be connected to an earthed socket. If the plug does not fit into the socket, it has to be removed and replaced by a plug that fits.

IMPORTANT

- If a new plug is fitted, the following instructions will have to be observed: The supply cord is a triple-core wire;
- The green/yellow core (earth) has to be connected to the terminal which is marked by the letter E or the earth symbol (\perp) or which is green/yellow.
 - The blue core (neutral) has to be connected to the terminal which is marked by the letter N or which is black.
 - The brown core (live) has to be connected to the terminal which is marked by the letter L or which is red.