

Panther 670 Series Bain Marie Top Hot Cupboards

Key Features

- Type: Electric
- Bains marie top
- Bains marie section with dry or wet operation (direct or indirect heat)
- Separate thermostatic temperature control for bains marie and cupboard
- Sliding doors to front (removable)
- Drainage tap to right side
- Supplied with two shelves
- Supplied with swivel and lockable castors
- Cupboard double skinned with insulation
- Supplied with push bar



P6B3 (Optional Green Panel)

Construction

- Body: stainless steel grade 430
- Interior: mirror stainless steel
- Chrome plated shelves
- GN containers and lids: stainless steel grade 304

Available Options

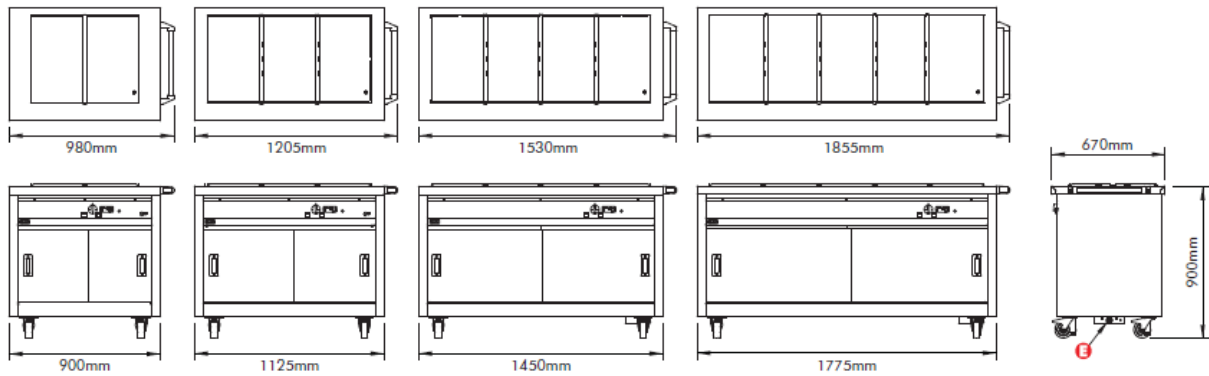
- Choice of sizes
- Static version with adjustable legs
- Coloured front panels
- Heated gantry
- Ambient gantry
- PTS2,3,4,5 – Drop down tray slides
- PDL- Door Lock

Available Accessories

- PPB6 - Additional push bar handle.
- CP16- Carvery Pad
- PHTC- Ceramic Hot Tile
- PHTG- Glass Hot Tile
- Choice of GN configurations (available separately)

Specifications

Model	P6B2	P6B3	P6B4	P6B5
External height (mm)	900	900	900	900
External width (mm)	900	1125	1450	1775
External depth (mm)	670	670	670	670
Usable oven capacity h x w x d (mm)	440 x 820 x 540	440 x 1020 x 540	440 x 1345 x 540	440 x 1670 x 540
Oven shelf size w x d (mm)	788 x 512	967 x 512	1286 x 512	1610 x 512
Net weight unpacked (kg)	80	95	116	136
Gross weight packed (kg)	93	112	135	161
Shipping volume (m ³)				
Total electrical power rating (kW)	2.6	2.8	4.9	5.2
Electrical supply 1N~+E 230V 50-60Hz Current Rating (A)	11.3	12.4	21.5	22.6



Lincat Limited, Whisby Road,
Lincoln LN6 3QZ,
United Kingdom

UK Sales Tel: 01522 875500 UK Spares Tel: 01522 875510 UK General Tel: 01522 875555
 UK Fax: 01522 875530 International Sales Tel: +44 1522 503250 International Fax: +44 1522 875530
 Website: www.lincat.co.uk UK Sales e-mail: sales@lincat.co.uk International Sales e-mail: export@lincat.co.uk



Document ref:
PANTHER-P6B
Issue date: March-12