



M5F - Lincat FilterFlow MF Wall Mounted Automatic Fill Boiler - 5.5L Capacity - 3.0 kW

Easy to install with a 3 pin plug and just three screws, the M5F provides filtered boiling water on tap 24/7.

- ✓ High quality boiling water on tap 24 hours a day
- ✓ Wall mounted, compact design
- ✓ Easy installation - UK 3 pin plug and three screws
- ✓ Built-in water filtration system improves water quality
- ✓ High volume, easy change FilterFlow cartridge
- ✓ Adjustable water temperature from 70°- 96°C
- ✓ Precise electronic temperature control system
- ✓ LCD information panel
- ✓ Enhanced multi-level diagnostics

Specifications

Summary		Power and Performance	
Brand	Lincat	Total Power kW	3.0
Range	FilterFlow	Temperature Range °C	70-96
Series	MF Wall-mounted Boiler	IP Rating	IPX23
Power Type	Electric	Hourly Output Litres	28
Unit Type	Wall-mounted	Hourly Output Cups	140
Available in UK Only	No		
UK Warranty	2 Years Parts and Labour Warranty		
Export Warranty	Contact your local dealer		
GTIN	5056105117957		

Key Specifications		Capacity	
Outlet	Single Tap	Hot and Cold Water Output	No
Dispense Lock	No	Rapid Draw Off Litres	5.5
		Rapid Draw Off Cups	28
		Capacity Litres	5.5

Weights and Dimensions		Supply Connections	
Unit Height (External) mm	448	Requires Installation	No
Unit Width (External) mm	340	Requires Electrical Supply	Yes
Unit Depth (External) mm	269	UK 3 Pin Plug	Yes
Net Weight Kg	9.9	Requires Hardwiring	No
		Electrical Supply Rating Watts	3,000
		Single Phase Amps	13
		Single Phase Voltage	230
		Water Connection Pressure Bar	1.0-8.0
		Water Connection	3/4"

Shipping	
Packed Weight Kg	10.89
Packed Height cm	35
Packed Width cm	41
Packed Depth cm	63

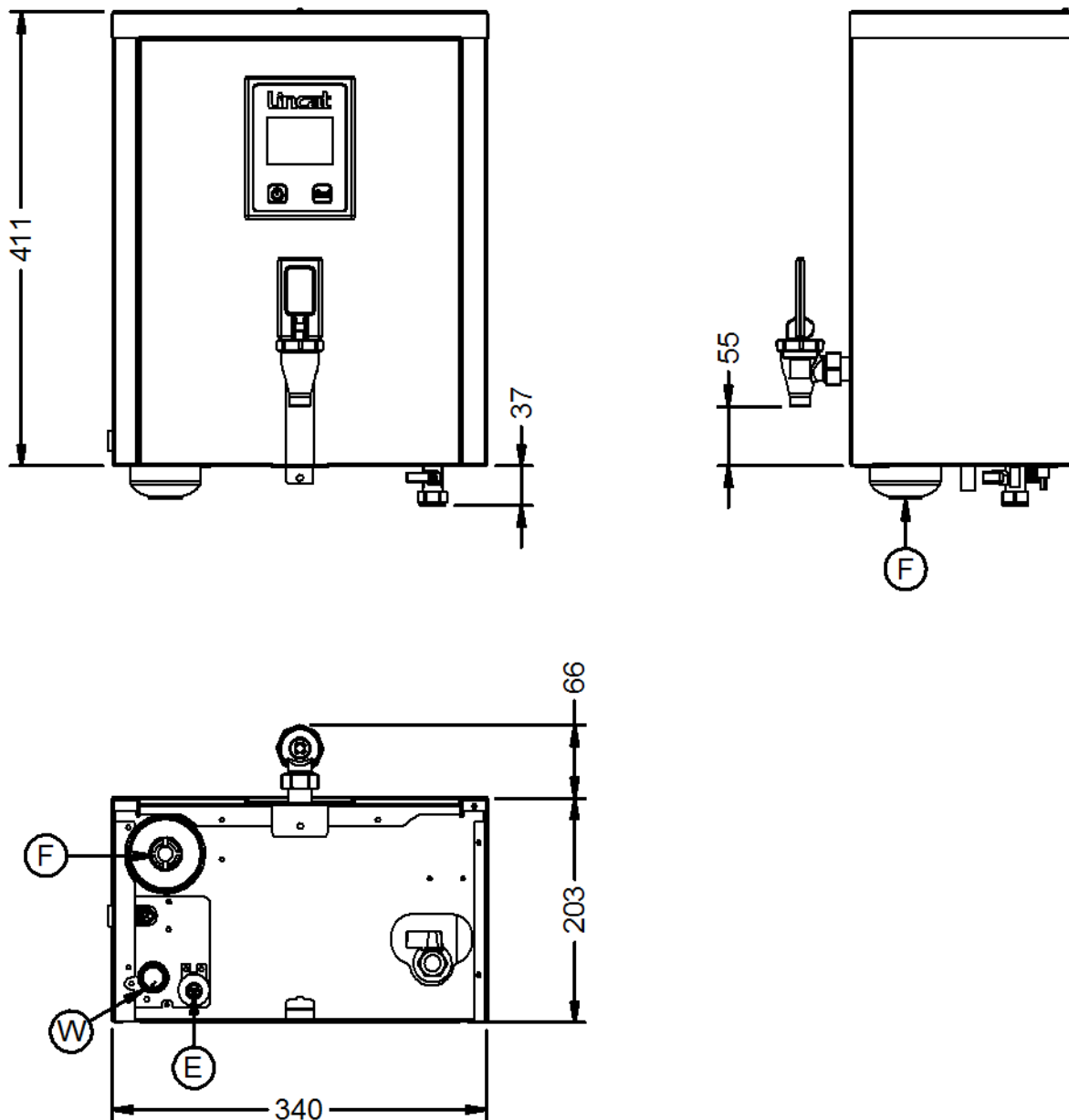
Available Accessories

DP10 Descaler Powder

Available Accessories

- DR95 Drip Tray for FilterFlow Wall Mounted Water Boilers - M5F and M7F
- FC04 Filter Cartridge for Lincat FilterFlow Water Boiler

Technical Picture





Lincat Limited

Whisby Road,
Lincoln, LN6 3QZ,
United Kingdom

Company No: 2175448

A member company of



Customer Care

Tel: +44 1522 875500
Email: care@lincat.co.uk

Export Customers

Tel: +44 1522 875536
Email: export@lincat.co.uk

Opening Hours

Monday – Friday:
8.30am – 5pm